



ZANOTTI Spa
 Via M.L. King, 30
 46020 - Pegognaga (MN) - ITALY
 Tel. +39 0376 5551
 Fax +39 0376 536554
 info@zanotti.com

Technical specifications

Version 2.2

Model: **BGM110DA11XA** Class: **GM**

Technical data

Characteristics	M.U.	Value
Working temperature	°C	-15 ÷ -25
Starting mode		Direct
Voltage	Volt-Ph-Hz	230/1/50
Rated input	kW*	0.50
Rated input	Amp*	2.90
Peak current	Amp	23.0
Max current	Amp	6.8
Refrigerant		R452A
	GWP	2140
Defrost		Hot gas
Mass	Kg	56

Compressor

Type		Hermetic
Nominal power	kW	0.74

Condenser

Air flow	m³/h	600
----------	------	-----

Evaporator

Air flow	m³/h	600
Air throw	m**	4

PED Category		0
--------------	--	---



Power data

Tc °C	Ta °C	P watt	P Kcal/h	V120 m³	V100 m³	V80 m³
	20	937	806	5.7	5.1	4.4
	25	882	759	5.1	4.5	4
-15	30	827	711	4.6	4.1	3.6
	35	768	660	4	3.6	3.1
	40	701	603	3.4	3	2.7
	45	623	536	2.8	2.5	2.2
	20	782	673	4.1	3.6	3.2
	25	732	630	3.7	3.3	2.9
-20	30	679	584	3.2	2.8	2.5
	35	624	537	2.8	2.5	2.2
	40	570	490	2.4	2.1	1.9
	45	519	446	2	1.8	1.6
	20	630	542	2.8	2.5	2.2
	25	581	500	2.5	2.2	2
-25	30	539	464	2.2	2	1.7
	35	500	430	1.9	1.7	1.5
	40	460	396	1.6	1.4	1.2
	45	416	358	1.4	1.2	1.1

Calculation of the refrigerating power and volume

Ta °C

Tc °C

PF Watt

Kcal/h

V120 m³

V100 m³

V80 m³

* When normally running: -20 ÷ +30°C

** Use air throw as a base. Air throw is affected by many factors such as height of room, product storage, location of evaporator, etc.

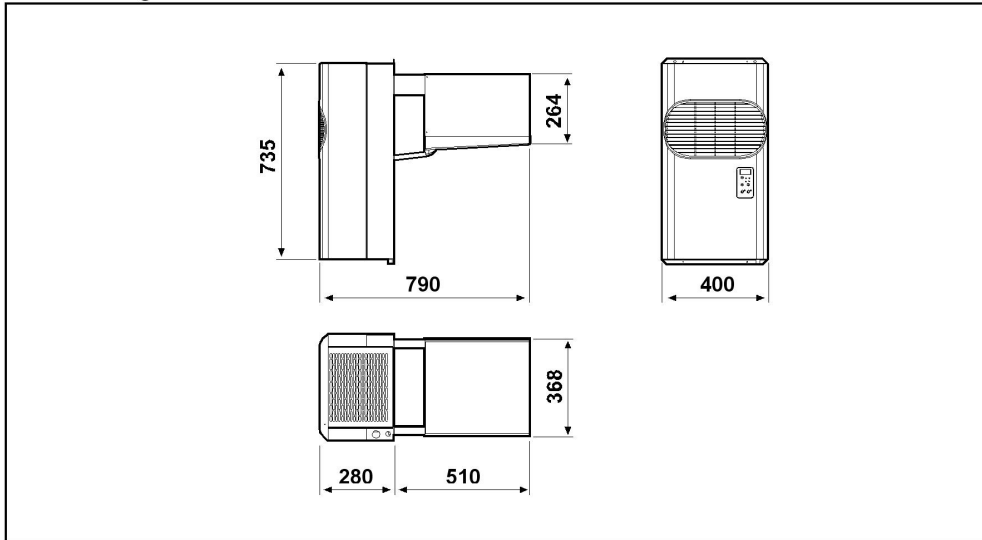
Tc: Coldroom temp. - Ta: External temp.

P: Refrigerant capacity - V: Recommended cold-room volume

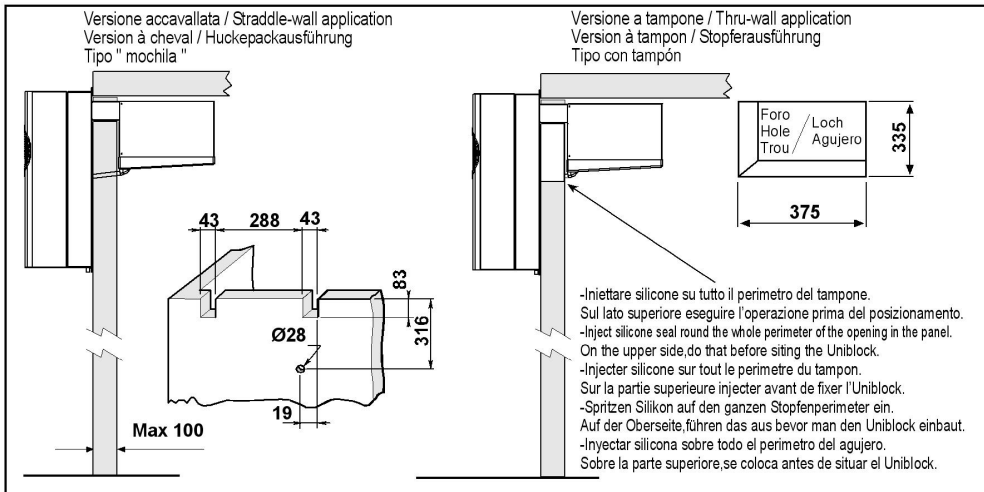
L'immagine è datata e potrebbe presentare alcune differenze rispetto all'unità attuale. La aggiorneremo il prima possibile.
The picture is old and it could have some differences from the current unit. We will update it as soon as possible.

Dimensioni - Dimensions - Dimensions
Abmessungen - Dimensiones

GM1

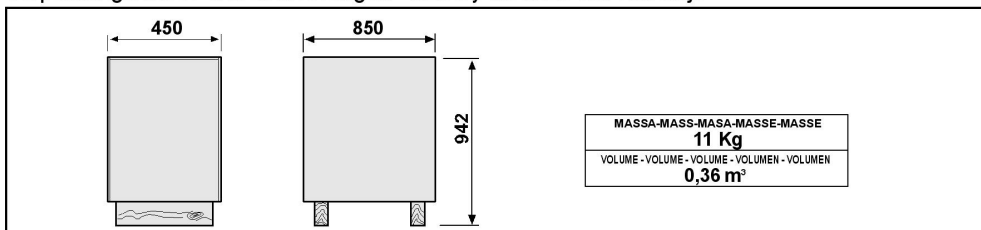


Schema di montaggio - Mounting scheme - Schema de montage
Montageschema - Esquema de montaje



- * Raccomandazioni in sede di installazione e per il controllo fornite sul manuale di installazione
- * To be advised at time of order for factory installation and operating instructions
- * Recommendations au moments d'installations et pour le contrôle fournis sur le manuel d'installation
- * Empfehlungen für die Installationsphase und zur Kontrolle, die im Handbuch zur Installation enthalten sind
- * Por cuanto respecta a recomendaciones de instalaciòn y control ver manual de instalaciòn

Massa e misure imballi - Packing mass and dimensions - Masse et dimensions emballages
Verpackungsmasse und-abmessungen - Masa y medidas del embalaje



ZANOTTI S.p.A.