



ZANOTTI Spa
 Via M.L. King, 30
 46020 - Pegognaga (MN) - ITALY
 Tel. +39 0376 5551
 Fax +39 0376 536554
 info@zanotti.com

Technical specifications

Version 2.2

Model: **BGM112DA11XA** Class: **GM**

Technical data

Characteristics	M.U.	Value
Working temperature	°C	-15 ÷ -25
Starting mode		Direct
Voltage	Volt-Ph-Hz	230/1/50
Rated input	kW*	0.60
Rated input	Amp*	3.80
Peak current	Amp	32.0
Max current	Amp	9.1
Refrigerant		R452A
	GWP	2140
Defrost		Hot gas
Mass	Kg	64

Compressor

Type		Hermetic
Nominal power	kW	0.9

Condenser

Air flow	m³/h	600
----------	------	-----

Evaporator

Air flow	m³/h	600
Air throw	m**	4

PED Category		0
--------------	--	---



Power data

Tc °C	Ta °C	P watt	P Kcal/h	V120 m³	V100 m³	V80 m³
	20	1189	1023	8.5	7.6	6.6
	25	1129	971	7.8	6.9	6.1
-15	30	1055	907	6.9	6.1	5.4
	35	974	838	6	5.3	4.7
	40	889	765	5.2	4.6	4.1
	45	807	694	4.4	3.9	3.4
	20	1017	875	6.5	5.8	5.1
	25	955	821	5.8	5.2	4.5
-20	30	889	765	5.2	4.6	4.1
	35	820	705	4.5	4	3.5
	40	749	644	3.8	3.4	3
	45	673	579	3.2	2.8	2.5
	20	856	736	4.8	4.3	3.7
	25	798	686	4.3	3.8	3.4
-25	30	730	628	3.7	3.3	2.9
	35	660	568	3.1	2.8	2.4
	40	597	513	2.6	2.3	2
	45	548	471	2.2	2	1.7

Calculation of the refrigerating power and volume

Ta
 °C

Tc
 °C

PF
 Watt

Kcal/h

V120
 m³

V100
 m³

V80
 m³

* When normally running: -20 ÷ +30°C

** Use air throw as a base. Air throw is affected by many factors such as height of room, product storage, location of evaporator, etc.

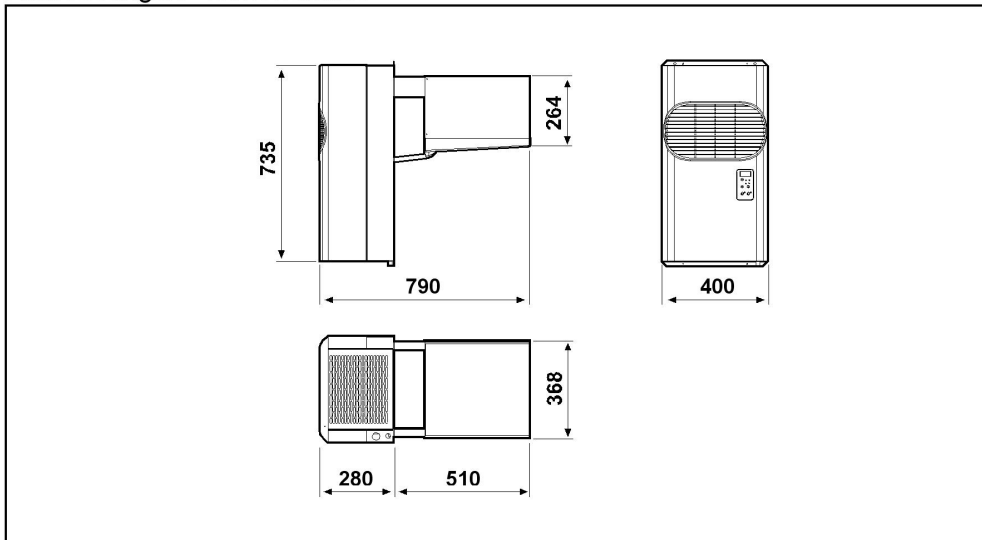
Tc: Coldroom temp. - Ta: External temp.

P: Refrigerant capacity - V: Recommended cold-room volume

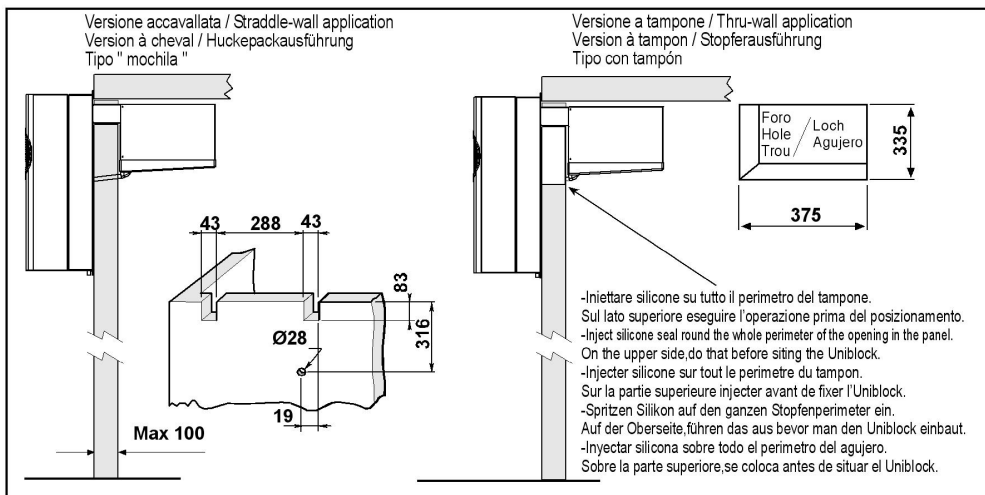
L'immagine è datata e potrebbe presentare alcune differenze rispetto all'unità attuale. La aggiorneremo il prima possibile.
 The picture is old and it could have some differences from the current unit. We will update it as soon as possible.

Dimensioni - Dimensions - Dimensions
 Abmessungen - Dimensiones

GM1

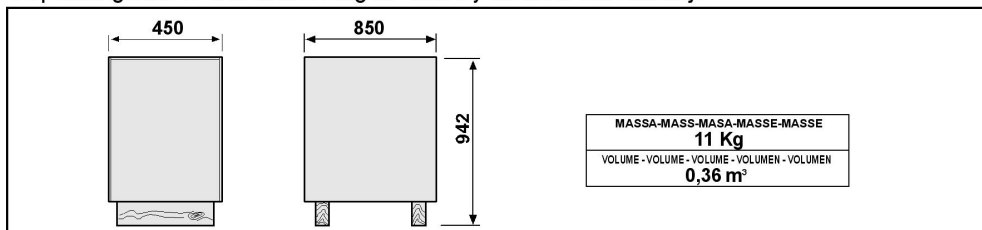


Schema di montaggio - Mounting scheme - Schema de montage
 Montageschema - Esquema de montaje



- * Raccomandazioni in sede di installazione e per il controllo fornite sul manuale di installazione
- * To be advised at time of order for factory installation and operating instructions
- * Recommendations au moments d'installations et pour le contrôle fournis sur le manuel d'installation
- * Empfehlungen für die Installationsphase und zur Kontrolle, die im Handbuch zur Installation enthalten sind
- * Por cuanto respecta a recomendaciones de instalaciòn y control ver manual de instalaciòn

Massa e misure imballi - Packing mass and dimensions - Masse et dimensions emballages
 Verpackungsmasse und-abmessungen - Masa y medidas del embalaje



ZANOTTI S.p.A.