



ZANOTTI Spa
 Via M.L. King, 30
 46020 - Pegognaga (MN) - ITALY
 Tel. +39 0376 5551
 Fax +39 0376 536554
 info@zanotti.com

Technical specifications

Version 2.2

Model: **BGM218DA11XA** Class: **GM**

Technical data

Characteristics	M.U.	Value
Working temperature	°C	-15 ÷ -25
Starting mode		Direct
Voltage	Volt-Ph-Hz	230/1/50
Rated input	kW*	1.10
Rated input	Amp*	6.40
Peak current	Amp	44.0
Max current	Amp	11.7
Refrigerant		R452A
	GWP	2140
Defrost		Hot gas
Mass	Kg	80

Compressor

Type		Hermetic
Nominal power	kW	1.3

Condenser

Air flow	m³/h	1200
----------	------	------

Evaporator

Air flow	m³/h	1200
Air throw	m**	4

PED Category		0
--------------	--	---



Power data

Tc °C	Ta °C	P watt	P Kcal/h	V120 m³	V100 m³	V80 m³
	20	1925	1656	17	15	13
	25	1809	1556	17	15	13
-15	30	1703	1465	15	13	12
	35	1597	1373	14	12	11
	40	1481	1274	12	11	9.4
	45	1345	1157	10	8.9	7.8
	20	1635	1406	14	12	11
	25	1527	1313	13	12	10
-20	30	1429	1229	12	11	9.4
	35	1336	1149	10	8.9	7.8
	40	1243	1069	9.1	8.1	7.1
	45	1144	984	7.9	7	6.2
	20	1353	1164	11	9.8	8.6
	25	1265	1088	9.4	8.4	7.3
-25	30	1181	1016	8.4	7.5	6.6
	35	1100	946	7.4	6.6	5.8
	40	1018	875	6.5	5.8	5.1
	45	931	801	5.6	5	4.4

Calculation of the refrigerating power and volume

Ta
 °C

Tc
 °C

PF
 Watt

Kcal/h

V120
 m³

V100
 m³

V80
 m³

* When normally running: -20 ÷ +30°C

** Use air throw as a base. Air throw is affected by many factors such as height of room, product storage, location of evaporator, etc.

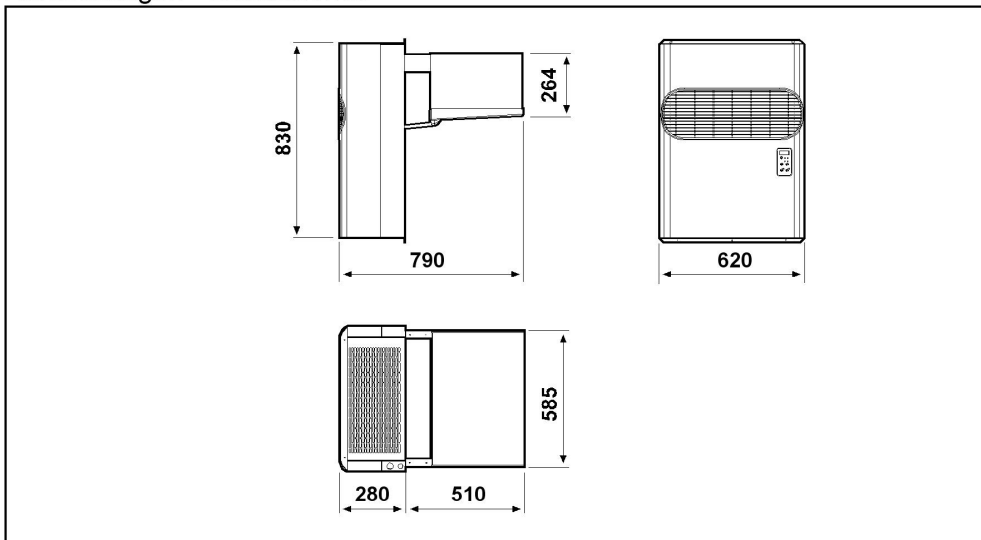
Tc: Coldroom temp. - Ta: External temp.

P: Refrigerant capacity - V: Recommended cold-room volume

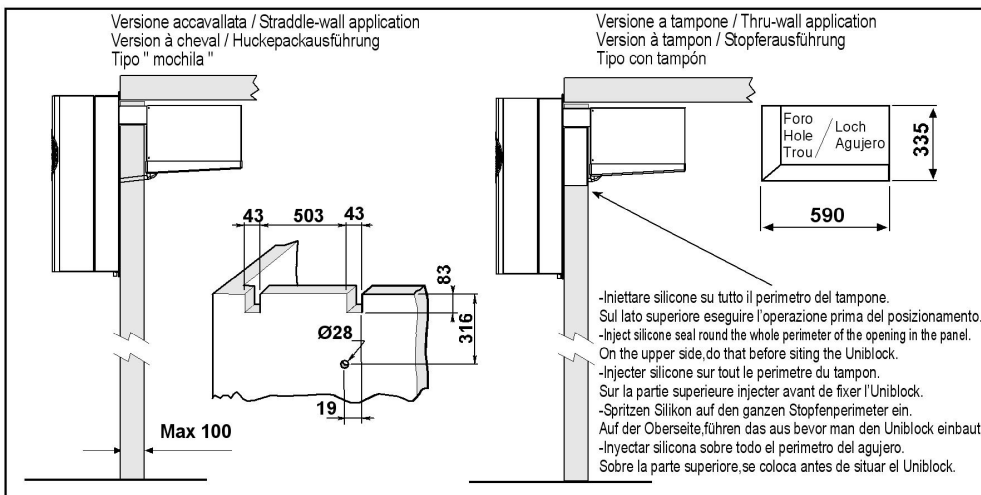
L'immagine è datata e potrebbe presentare alcune differenze rispetto all'unità attuale. La aggiorneremo il prima possibile.
The picture is old and it could have some differences from the current unit. We will update it as soon as possible.

Dimensioni - Dimensions - Dimensions
Abmessungen - Dimensiones

GM2

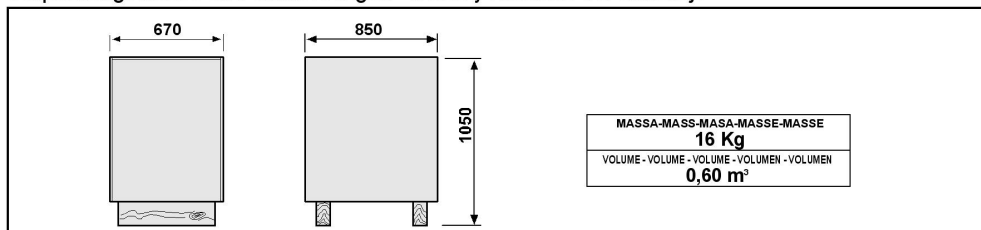


Schema di montaggio - Mounting scheme - Schema de montage
Montageschema - Esquema de montaje



- * Raccomandazioni in sede di installazione e per il controllo fornite sul manuale di installazione
- * To be advised at time of order for factory installation and operating instructions
- * Recommendations au moments d'installations et pour le contrôle fournis sur le manuel d'installation
- * Empfehlungen für die Installationsphase und zur Kontrolle, die im Handbuch zur Installation enthalten sind
- * Por cuanto respecta a recomendaciones de instalación y control ver manual de instalación

Massa e misure imballi - Packing mass and dimensions - Masse et dimensions emballages
Verpackungsmasse und-abmessungen - Masa y medidas del embalaje



ZANOTTI S.p.A.