



ZANOTTI Spa
 Via M.L. King, 30
 46020 - Pegognaga (MN) - ITALY
 Tel. +39 0376 5551
 Fax +39 0376 536554
 info@zanotti.com

Technical specifications

Version 2.2

Model: **BGM330DB11XA** Class: **GM**

Technical data

Characteristics	M.U.	Value
Working temperature	°C	-15 ÷ -25
Starting mode		Direct
Voltage	Volt-Ph-Hz	400/3N/50
Rated input	kW*	1.90
Rated input	Amp*	4.30
Peak current	Amp	31.0
Max current	Amp	8.3
Refrigerant		R452A
	GWP	2140
Defrost		Hot gas
Mass	Kg	105

Compressor

Type		Hermetic
Nominal power	kW	2.2

Condenser

Air flow	m³/h	1500
----------	------	------

Evaporator

Air flow	m³/h	1800
Air throw	m**	10

PED Category		0
--------------	--	---



Power data

Tc °C	Ta °C	P watt	P Kcal/h	V120 m³	V100 m³	V80 m³
	20	3708	3189	53	47	41
	25	3483	2995	48	43	37
-15	30	3272	2814	43	38	34
	35	3052	2625	39	35	30
	40	2801	2409	34	30	27
	45	2498	2148	28	25	22
	20	3131	2693	41	36	32
	25	2917	2509	36	32	28
-20	30	2701	2323	32	28	25
	35	2485	2137	28	25	22
	40	2268	1950	24	21	19
	45	2052	1765	20	18	16
	20	2617	2251	30	27	23
	25	2397	2061	26	23	20
-25	30	2185	1879	22	20	17
	35	1992	1713	19	17	15
	40	1823	1568	17	15	13
	45	1688	1452	15	13	12

Calculation of the refrigerating power and volume

Ta	<input type="text" value="32.0"/>	°C
Tc	<input type="text" value="-20.0"/>	°C
PF	<input type="text" value="2,615"/>	Watt
	<input type="text" value="2,249"/>	Kcal/h
V120	<input type="text" value="30.0"/>	m³
V100	<input type="text" value="27.0"/>	m³
V80	<input type="text" value="23.0"/>	m³

* When normally running: -20 ÷ +30°C

** Use air throw as a base. Air throw is affected by many factors such as height of room, product storage, location of evaporator, etc.

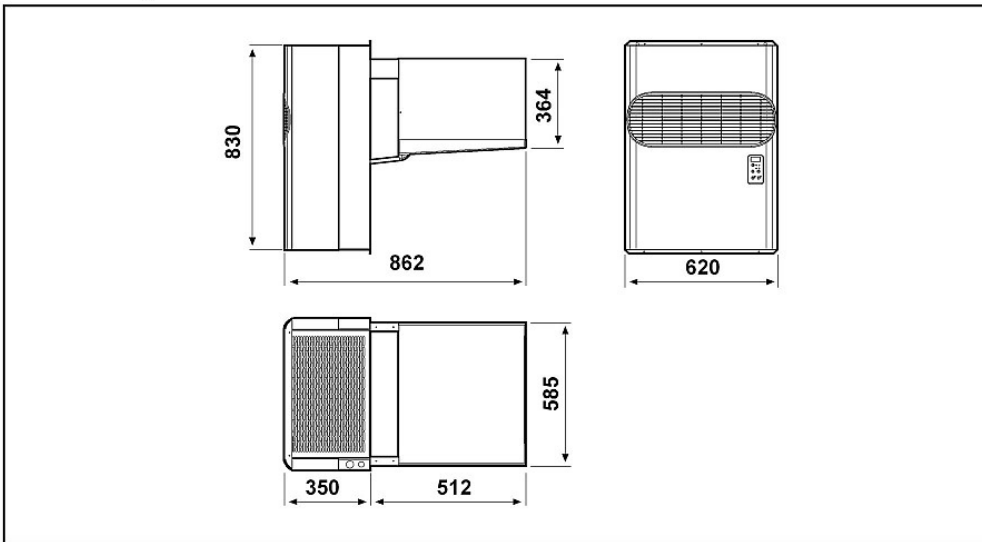
Tc: Coldroom temp. - Ta: External temp.

P: Refrigerant capacity - V: Recommended cold-room volume

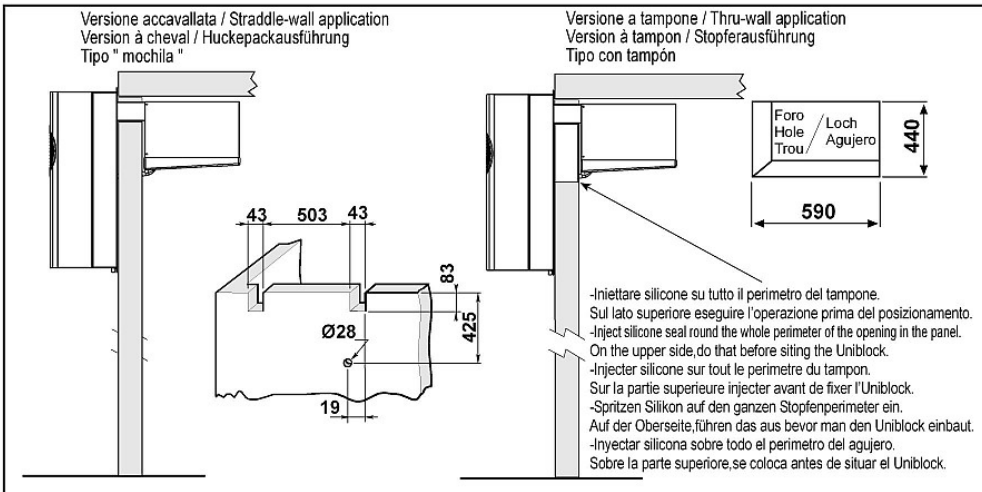
L'immagine è datata e potrebbe presentare alcune differenze rispetto all'unità attuale. La aggiorneremo il prima possibile.
 The picture is old and it could have some differences from the current unit. We will update it as soon as possible.

Dimensioni - Dimensions - Dimensions
 Abmessungen - Dimensiones

GM3

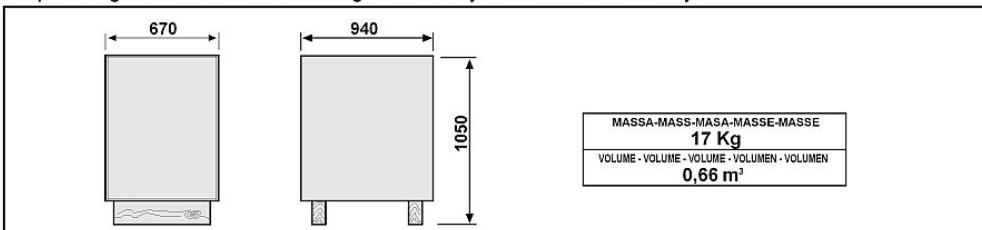


Schema di montaggio - Mounting scheme - Schema de montage
 Montageschema - Esquema de montaje



- * Raccomandazioni in sede di installazione e per il controllo fornite sul manuale di installazione
- * To be advised at time of order for factory installation and operating instructions
- * Recommendations au moments d'installations et pour le contrôle fournis sur le manuel d'installation
- * Empfehlungen für die Installationsphase und zur Kontrolle, die im Handbuch zur Installation enthalten sind
- * Por cuanto respecta a recomendaciones de instalación y control ver manual de instalación

Massa e misure imballi - Packing mass and dimensions - Masse et dimensions emballages
 Verpackungsmasse und-abmessungen - Masa y medidas del embalaje



ZANOTTI S.p.A.