



**ZANOTTI Spa**  
 Via M.L. King, 30  
 46020 - Pegognaga (MN) - ITALY  
 Tel. +39 0376 5551  
 Fax +39 0376 536554  
 info@zanotti.com

# Technical specifications

Version 2.2

Model: **BGM340DB11XA** Class: **GM**

## Technical data

Characteristics	M.U.	Value
Working temperature	°C	-15 ÷ -25
Starting mode		Direct
Voltage	Volt-Ph-Hz	400/3N~/50
Rated input	kW*	2.20
Rated input	Amp*	5.00
Peak current	Amp	35.0
Max current	Amp	11.4
Refrigerant		R452A
	GWP	2140
Defrost		Hot gas
Mass	Kg	113

## Compressor

Type		Hermetic
Nominal power	kW	2.9

## Condenser

Air flow	m³/h	2200
----------	------	------

## Evaporator

Air flow	m³/h	2100
Air throw	m**	10

PED Category		2
--------------	--	---



## Power data

Tc °C	Ta °C	P watt	P Kcal/h	V120 m³	V100 m³	V80 m³
	20	4157	3575	62	55	48
	25	3937	3386	57	51	44
-15	30	3698	3180	52	46	41
	35	3441	2959	47	42	37
	40	3162	2719	41	36	32
	45	2862	2461	35	31	27
	20	3608	3103	50	44	39
	25	3386	2912	46	41	36
-20	30	3160	2718	41	36	32
	35	2922	2513	36	32	28
	40	2663	2290	31	28	24
	45	2375	2042	26	23	20
	20	3065	2636	39	35	30
	25	2847	2448	35	31	27
-25	30	2618	2251	30	27	23
	35	2385	2051	26	23	20
	40	2155	1853	22	20	17
	45	1933	1662	17	15	13

## Calculation of the refrigerating power and volume

Ta  
 °C

Tc  
 °C

PF  
 Watt

Kcal/h

V120  
 m³

V100  
 m³

V80  
 m³

\* When normally running: -20 ÷ +30°C

\*\* Use air throw as a base. Air throw is affected by many factors such as height of room, product storage, location of evaporator, etc.

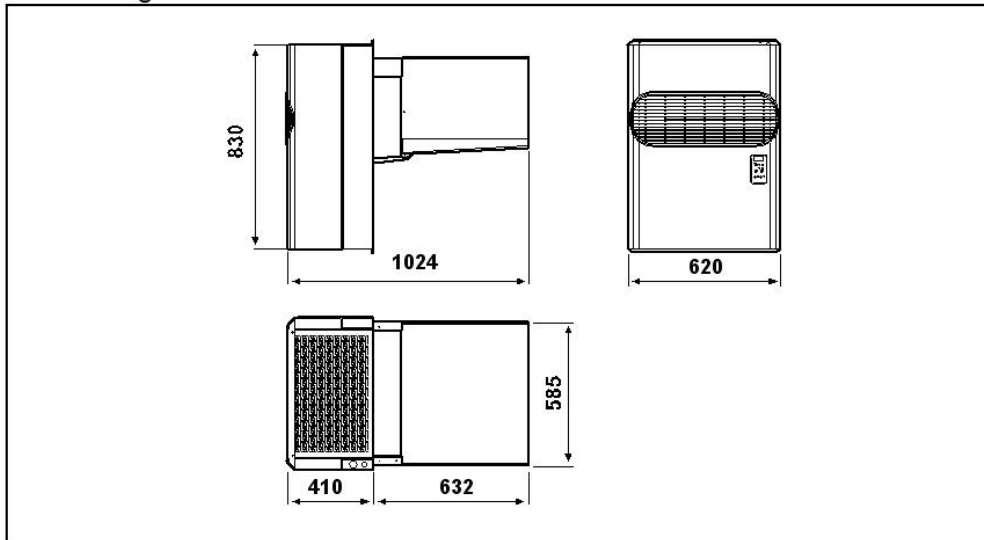
Tc: Coldroom temp. - Ta: External temp.

P: Refrigerant capacity - V: Recommended cold-room volume

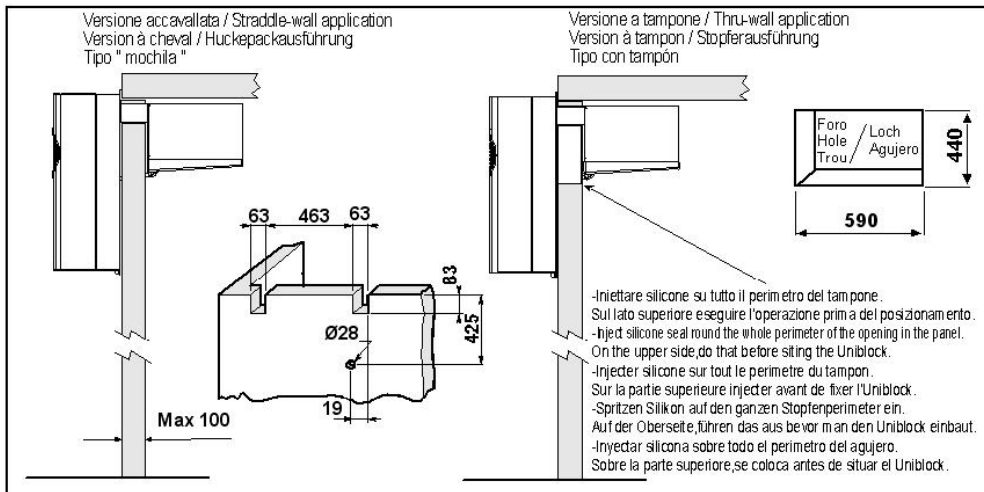
L'immagine è datata e potrebbe presentare alcune differenze rispetto all'unità attuale. La aggiorneremo il prima possibile.  
 The picture is old and it could have some differences from the current unit. We will update it as soon as possible.

Dimensioni - Dimensions - Dimensions  
 Abmessungen - Dimensiones

**GM340**

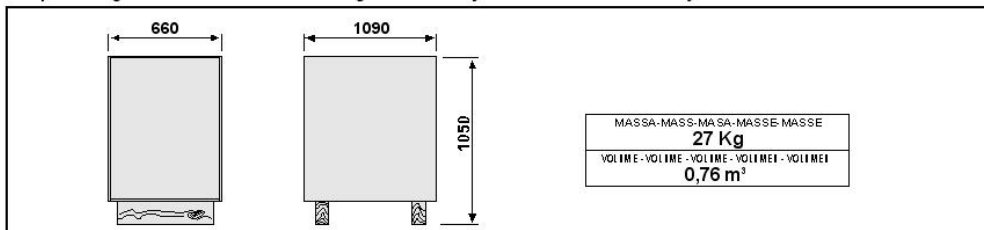


Schema di montaggio - Mounting scheme - Schema de montage  
 Montageschema - Esquema de montaje



- \* Raccomandazioni in sede di installazione e per il controllo fornite sul manuale di installazione
- \* To be advised at time of order for factory installation and operating instructions
- \* Recommendations au moments d'installations et pour le contrôle fournis sur le manuel d'installation
- \* Empfehlungen für die Installationsphase und zur Kontrolle, die im Handbuch zur Installation enthalten sind
- \* Por cuanto respecta a recomendaciones de instalación y control ver manual de instalación

Massa e misure imballi - Packing mass and dimensions - Masse et dimensions emballages  
 Verpackungsmasse und-abmessungen - Masa y medidas del embalaje



**ZANOTTI S.p.A.**