



ZANOTTI Spa
 Via M.L. King, 30
 46020 - Pegognaga (MN) - ITALY
 Tel. +39 0376 5551
 Fax +39 0376 536554
 info@zanotti.com

Technical specifications

Version 2.2

Model: **BSB010DA11XX** Class: **SB**

Technical data

| Characteristics | M.U. | Value |
|---------------------|------------|-----------|
| Working temperature | °C | -15 ÷ -25 |
| Starting mode | | Direct |
| Voltage | Volt-Ph-Hz | 230/1~/50 |
| Rated input | kW* | 0.50 |
| Rated input | Amp* | 3.00 |
| Peak current | Amp | 23.0 |
| Max current | Amp | 6.8 |
| Refrigerant | | R452A |
| | GWP | 2140 |
| Defrost | | Hot gas |
| Mass | Kg | 48 |

Compressor

| | | |
|---------------|----|----------|
| Type | | Hermetic |
| Nominal power | kW | 0.6 |

Condenser

| | | |
|----------|------|-----|
| Air flow | m³/h | 400 |
|----------|------|-----|

Evaporator

| | | |
|-----------|------|-----|
| Air flow | m³/h | 500 |
| Air throw | m** | 3 |

| | | |
|--------------|--|---|
| PED Category | | 0 |
|--------------|--|---|



Power data

| Tc °C | Ta °C | P watt | P Kcal/h | V120 m³ | V100 m³ | V80 m³ |
|-------|-------|--------|----------|---------|---------|--------|
| | 20 | 832 | 716 | 3.7 | 3.3 | 2.9 |
| | 25 | 786 | 676 | 3.3 | 2.9 | 2.6 |
| -15 | 30 | 738 | 635 | 2.9 | 2.6 | 2.3 |
| | 35 | 687 | 591 | 2.5 | 2.2 | 2 |
| | 40 | 634 | 545 | 2.1 | 1.9 | 1.6 |
| | 20 | 710 | 611 | 2.7 | 2.4 | 2.1 |
| | 25 | 670 | 576 | 2.4 | 2.1 | 1.9 |
| -20 | 30 | 628 | 540 | 2.1 | 1.9 | 1.6 |
| | 35 | 583 | 501 | 1.7 | 1.5 | 1.3 |
| | 40 | 536 | 461 | 1.4 | 1.2 | 1.1 |
| | 20 | 590 | 507 | 1.8 | 1.6 | 1.4 |
| | 25 | 549 | 472 | 1.5 | 1.3 | 1.2 |
| -25 | 30 | 510 | 439 | 1.3 | 1.2 | 1 |
| | 35 | 474 | 408 | 1.1 | 1 | 0.9 |
| | 40 | 437 | 376 | 0.9 | 0.8 | 0.7 |

Calculation of the refrigerating power and volume

Ta
 °C

Tc
 °C

PF
 Watt

Kcal/h

V120
 m³

V100
 m³

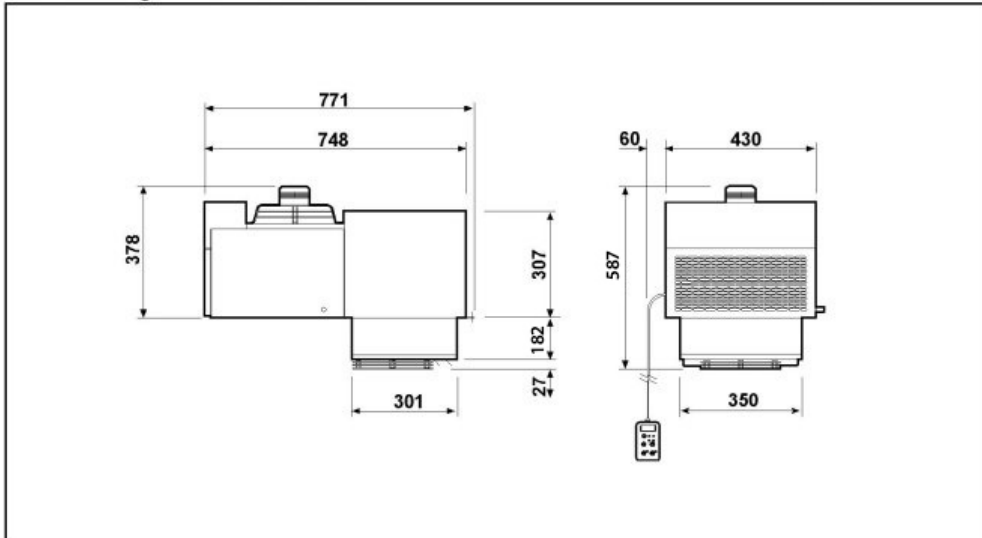
V80
 m³

* When normally running: -20 ÷ +30°C

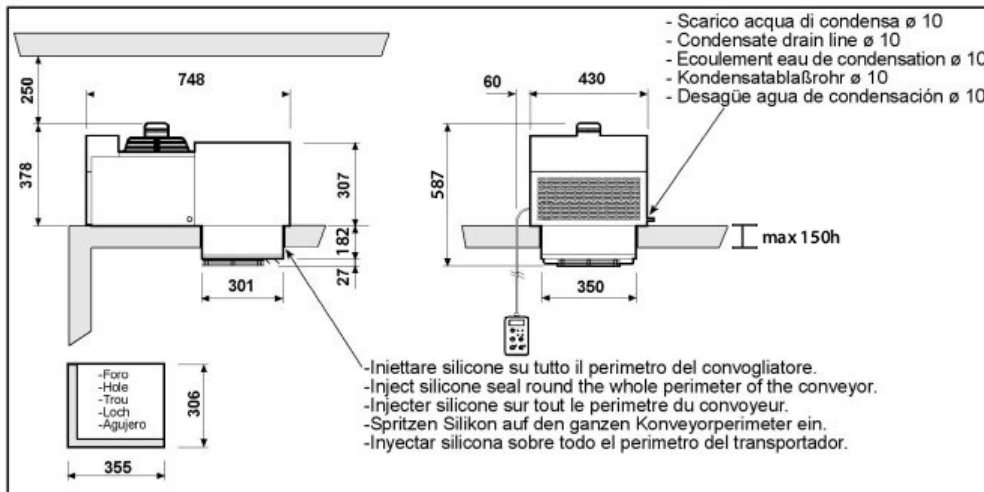
** Use air throw as a base. Air throw is affected by many factors such as height of room, product storage, location of evaporator, etc.

Tc: Coldroom temp. - Ta: External temp.

P: Refrigerant capacity - V: Recommended cold-room volume



Schema di montaggio - Mounting scheme - Schema de montage
Montageschema - Esquema de montaje



- * Raccomandazioni in sede di installazione e per il controllo fornite sul manuale di installazione
- * To be advised at time of order for factory installation and operating instructions
- * Recommendations au moments d'installations et pour le contrôle fournis sur le manuel d'installation
- * Empfehlungen für die Installationsphase und zur Kontrolle, die im Handbuch zur Installation enthalten sind
- * Por cuanto respecta a recomendaciones de instalación y control ver manual de instalación

Massa e misure imballi - Packing mass and dimensions - Masse et dimensions emballages
Verpackungsmasse und-abmessungen - Masa y medidas del embalaje

