



ZANOTTI Spa
 Via M.L. King, 30
 46020 - Pegognaga (MN) - ITALY
 Tel. +39 0376 5551
 Fax +39 0376 536554
 info@zanotti.com

Technical specifications

Version 2.2

Model: **BSB117DA11XX** Class: **SB**

Technical data

Characteristics	M.U.	Value
Working temperature	°C	-15 ÷ -25
Starting mode		Direct
Voltage	Volt-Ph-Hz	230/1~/50
Rated input	kW*	1.00
Rated input	Amp*	6.00
Peak current	Amp	43.0
Max current	Amp	11.3
Refrigerant		R452A
	GWP	2140
Defrost		Hot gas
Mass	Kg	68

Compressor

Type		Hermetic
Nominal power	kW	1.3

Condenser

Air flow	m³/h	750
----------	------	-----

Evaporator

Air flow	m³/h	550
Air throw	m**	4

PED Category		0
--------------	--	---



Power data

Tc °C	Ta °C	P watt	P Kcal/h	V120 m³	V100 m³	V80 m³
	20	1532	1318	12	11	9.4
	25	1437	1236	10	8.9	7.8
-15	30	1348	1159	9.1	8.1	7.1
	35	1258	1082	7.9	7	6.2
	40	1159	997	6.8	6.1	5.3
	20	1334	1147	8.9	7.9	6.9
	25	1250	1075	7.9	7	6.2
-20	30	1162	999	6.8	6.1	5.3
	35	1074	924	5.8	5.2	4.5
	40	985	847	4.9	4.4	3.8
	20	1121	964	6.4	5.7	5
	25	1048	901	5.6	5	4.4
-25	30	969	833	4.8	4.3	3.7
	35	886	762	4	3.6	3.1
	40	804	691	3.2	2.8	2.5

Calculation of the refrigerating power and volume

Ta
 °C

Tc
 °C

PF
 Watt

Kcal/h

V120
 m³

V100
 m³

V80
 m³

* When normally running: -20 ÷ +30°C

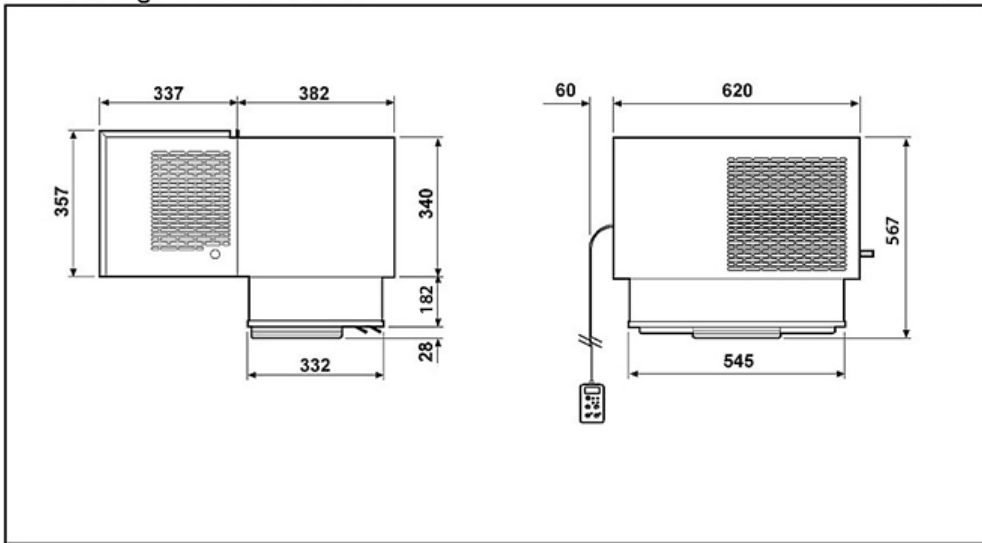
** Use air throw as a base. Air throw is affected by many factors such as height of room, product storage, location of evaporator, etc.

Tc: Coldroom temp. - Ta: External temp.

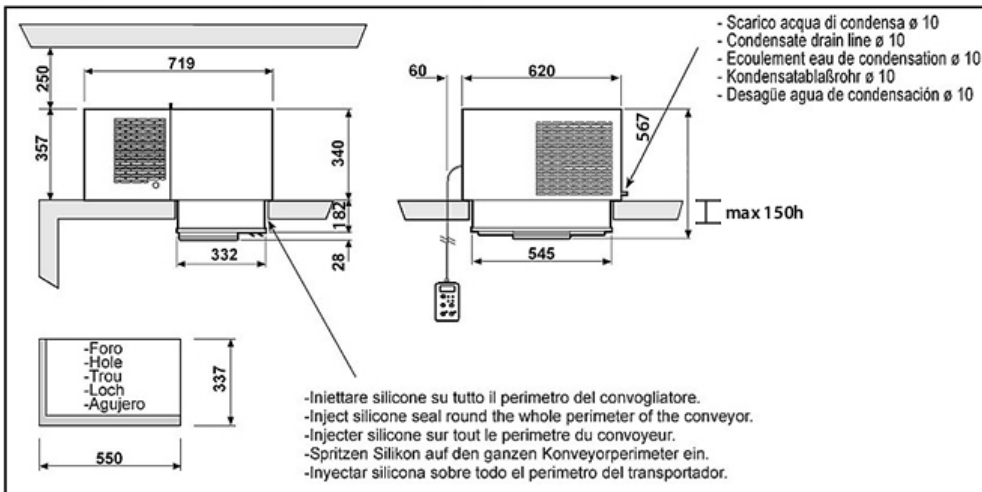
P: Refrigerant capacity - V: Recommended cold-room volume

Dimensioni - Dimensions - Dimensions
Abmessungen - Dimensiones

SB1

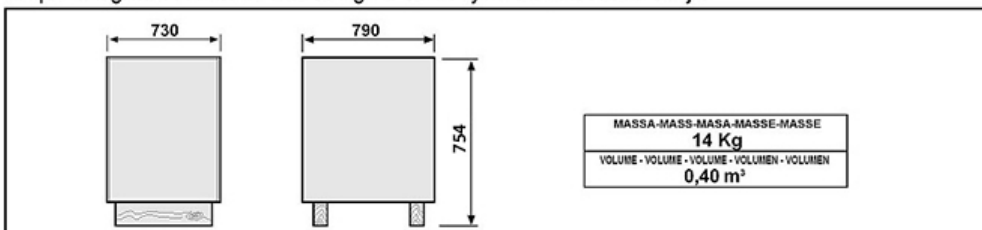


Schema di montaggio - Mounting scheme - Schema de montage
Montageschema - Esquema de montaje



- * Raccomandazioni in sede di installazione e per il controllo fornite sul manuale di installazione
- * To be advised at time of order for factory installation and operating instructions
- * Recommendations au moments d'installations et pour le contrôle fournis sur le manuel d'installation
- * Empfehlungen für die Installationsphase und zur Kontrolle, die im Handbuch zur Installation enthalten sind
- * Por cuanto respecta a recomendaciones de instalación y control ver manual de instalación

Massa e misure imballi - Packing mass and dimensions - Masse et dimensions emballages
Verpackungsmasse und-abmessungen - Masa y medidas del embalaje



ZANOTTI S.p.A.