



ZANOTTI Spa
 Via M.L. King, 30
 46020 - Pegognaga (MN) - ITALY
 Tel. +39 0376 5551
 Fax +39 0376 536554
 info@zanotti.com

Technical specifications

Version 2.2

Model: **BSB220DB11XX** Class: **SB**

Technical data

Characteristics	M.U.	Value
Working temperature	°C	-15 ÷ -25
Starting mode		Direct
Voltage	Volt-Ph-Hz	400/3N~/50
Rated input	kW*	1.50
Rated input	Amp*	4.30
Peak current	Amp	27.0
Max current	Amp	8.2
Refrigerant		R452A
	GWP	2140
Defrost		Hot gas
Mass	Kg	87

Compressor

Type		Hermetic
Nominal power	kW	1.5

Condenser

Air flow	m³/h	1400
----------	------	------

Evaporator

Air flow	m³/h	1100
Air throw	m**	4

PED Category		0
--------------	--	---



Power data

Tc °C	Ta °C	P watt	P Kcal/h	V120 m³	V100 m³	V80 m³
	20	2265	1948	20	18	16
	25	2147	1846	18	16	14
-15	30	2009	1728	17	15	13
	35	1861	1600	15	13	12
	40	1709	1470	13	12	10
	45	1563	1344	11	9.8	8.6
	20	1944	1672	16	14	12
	25	1825	1570	14	12	11
-20	30	1699	1461	12	11	9.4
	35	1569	1349	11	9.8	8.6
	40	1437	1236	8.9	7.9	6.9
	45	1306	1123	7.3	6.5	5.7
	20	1647	1416	12	11	9.4
	25	1521	1308	10	8.9	7.8
-25	30	1395	1200	8.5	7.6	6.6
	35	1277	1098	7	6.2	5.5
	40	1169	1005	5.8	5.2	4.5
	45	1078	927	4.8	4.3	3.7

Calculation of the refrigerating power and volume

Ta
 °C

Tc
 °C

PF
 Watt

Kcal/h

V120
 m³

V100
 m³

V80
 m³

* When normally running: -20 ÷ +30°C

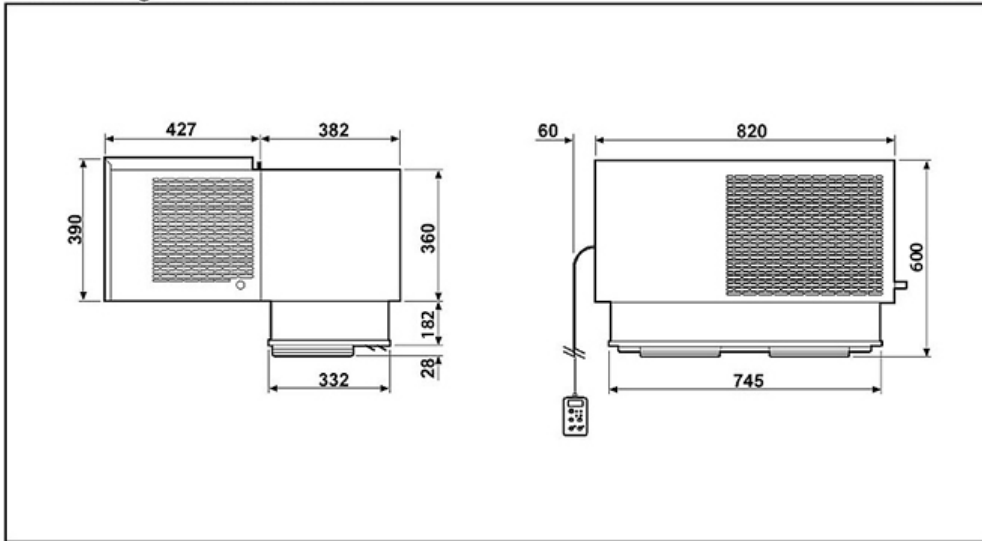
** Use air throw as a base. Air throw is affected by many factors such as height of room, product storage, location of evaporator, etc.

Tc: Coldroom temp. - Ta: External temp.

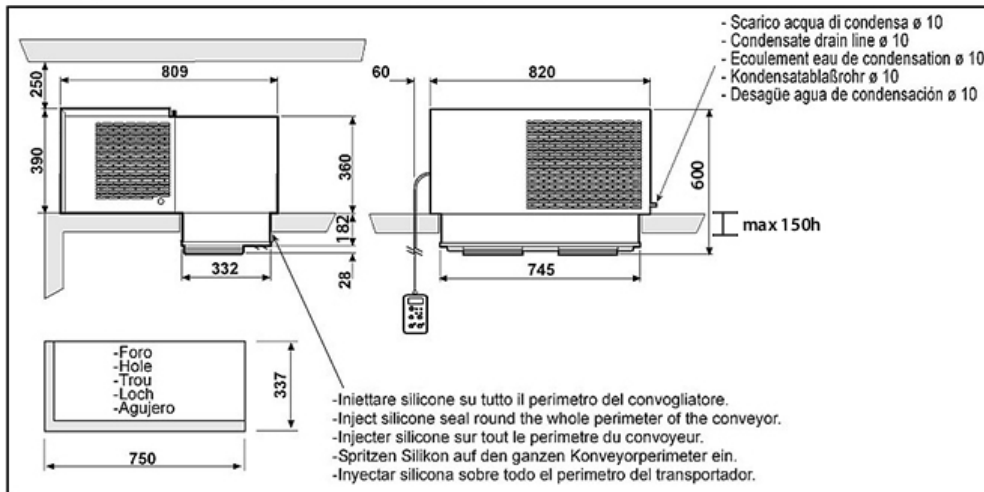
P: Refrigerant capacity - V: Recommended cold-room volume

Dimensioni - Dimensions - Dimensions
Abmessungen - Dimensiones

SB2

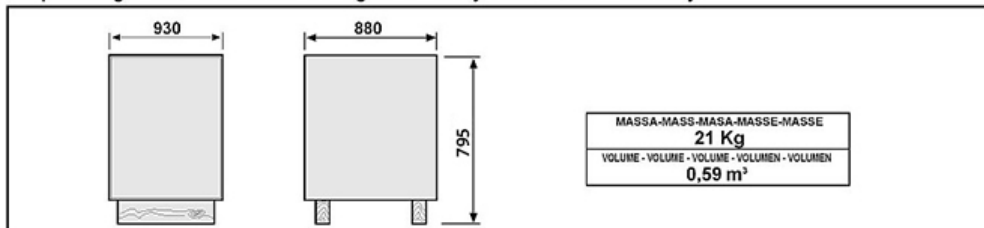


Schema di montaggio - Mounting scheme - Schema de montage
Montageschema - Esquema de montaje



- * Raccomandazioni in sede di installazione e per il controllo fornite sul manuale di installazione
- * To be advised at time of order for factory installation and operating instructions
- * Recommendations au moments d'installations et pour le contrôle fournis sur le manuel d'installation
- * Empfehlungen für die Installationsphase und zur Kontrolle, die im Handbuch zur Installation enthalten sind
- * Por cuanto respecta a recomendaciones de instalación y control ver manual de instalación

Massa e misure imballi - Packing mass and dimensions - Masse et dimensions emballages
Verpackungsmasse und-abmessungen - Masa y medidas del embalaje



ZANOTTI S.p.A.