



ZANOTTI Spa
 Via M.L. King, 30
 46020 - Pegognaga (MN) - ITALY
 Tel. +39 0376 5551
 Fax +39 0376 536554
 info@zanotti.com

Technical specifications

Version 2.2

Model: **BSB545DB13XX** Class: **SB**

Technical data

Characteristics	M.U.	Value
Working temperature	°C	-15 ÷ -25
Starting mode		Direct
Voltage	Volt-Ph-Hz	400/3N~/50
Rated input	kW*	2.80
Rated input	Amp*	6.40
Peak current	Amp	48.4
Max current	Amp	13.8
Refrigerant		R452A
	GWP	2140
Defrost		Hot gas
Mass	Kg	165

Compressor

Type		Hermetic
Nominal power	kW	3

Condenser

Air flow	m³/h	3200
----------	------	------

Evaporator

Air flow	m³/h	3450
Air throw	m**	10

PED Category		2
--------------	--	---



Power data

Tc °C	Ta °C	P watt	P Kcal/h	V120 m³	V100 m³	V80 m³
	20	5454	4690	83	74	65
	25	5039	4334	73	65	57
-15	30	4676	4021	65	58	51
	35	4325	3720	57	51	44
	40	3949	3396	49	44	38
	20	4515	3883	61	54	48
	25	4221	3630	55	49	43
-20	30	3890	3345	47	42	37
	35	3542	3046	40	36	31
	40	3198	2750	33	29	26
	20	3697	3179	44	39	34
	25	3392	2917	37	33	29
-25	30	3102	2668	31	28	24
	35	2834	2437	26	23	20
	40	2592	2229	21	19	16

Calculation of the refrigerating power and volume

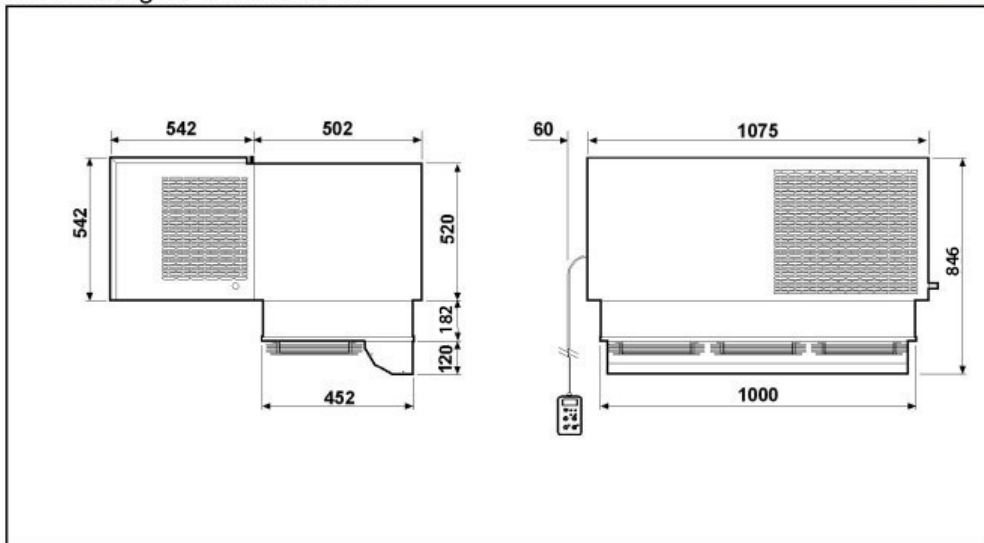
Ta		
	32.0	°C
Tc		
	-20.0	°C
PF		
	3,752	Watt
	3,227	Kcal/h
V120		
	45.0	m³
V100		
	40.0	m³
V80		
	35.0	m³

* When normally running: -20 ÷ +30°C

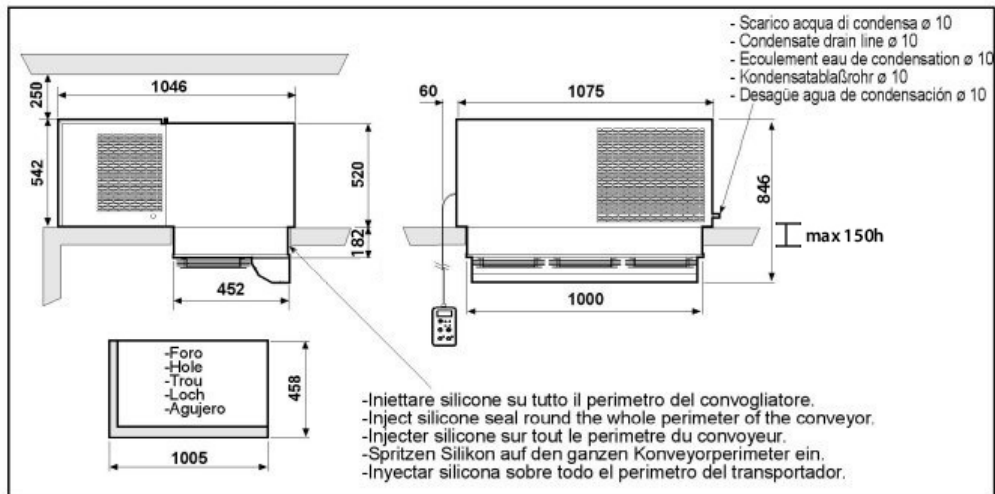
** Use air throw as a base. Air throw is affected by many factors such as height of room, product storage, location of evaporator, etc.

Tc: Coldroom temp. - Ta: External temp.

P: Refrigerant capacity - V: Recommended cold-room volume



Schema di montaggio - Mounting scheme - Schema de montage
Montageschema - Esquema de montaje



- * Raccomandazioni in sede di installazione e per il controllo fornite sul manuale di installazione
- * To be advised at time of order for factory installation and operating instructions
- * Recommendations au moments d'installations et pour le contrôle fournis sur le manuel d'installation
- * Empfehlungen für die Installationsphase und zur Kontrolle, die im Handbuch zur Installation enthalten sind
- * Por cuanto respecta a recomendaciones de instalación y control ver manual de instalación

Massa e misure imballi - Packing mass and dimensions - Masse et dimensions emballages
Verpackungsmasse und-abmessungen - Masa y medidas del embalaje

