



ZANOTTI Spa
 Via M.L. King, 30
 46020 - Pegognaga (MN) - ITALY
 Tel. +39 0376 5551
 Fax +39 0376 536554
 info@zanotti.com

Technical specifications

Version 2.2

Model: **BSB550DB13XX** Class: **SB**

Technical data

Characteristics	M.U.	Value
Working temperature	°C	-15 ÷ -25
Starting mode		Direct
Voltage	Volt-Ph-Hz	400/3N~/50
Rated input	kW*	3.80
Rated input	Amp*	8.30
Peak current	Amp	54.4
Max current	Amp	16.0
Refrigerant		R452A
	GWP	2140
Defrost		Hot gas
Mass	Kg	165

Compressor

Type		Hermetic
Nominal power	kW	3.7

Condenser

Air flow	m³/h	3200
----------	------	------

Evaporator

Air flow	m³/h	3450
Air throw	m**	10

PED Category		2
--------------	--	---



Power data

Tc °C	Ta °C	P watt	P Kcal/h	V120 m³	V100 m³	V80 m³
	20	6653	5722	112	100	87
	25	6238	5365	101	90	79
-15	30	5807	4994	90	80	70
	35	5360	4610	80	71	62
	40	4898	4212	69	61	54
	20	5648	4857	87	77	68
	25	5270	4532	78	69	61
-20	30	4849	4170	68	61	53
	35	4423	3804	59	53	46
	40	4030	3466	50	44	39
	20	4637	3988	64	57	50
	25	4334	3727	57	51	44
-25	30	3996	3437	49	44	38
	35	3647	3136	42	37	33
	40	3313	2849	35	31	27

Calculation of the refrigerating power and volume

Ta
 °C

Tc
 °C

PF
 Watt

Kcal/h

V120
 m³

V100
 m³

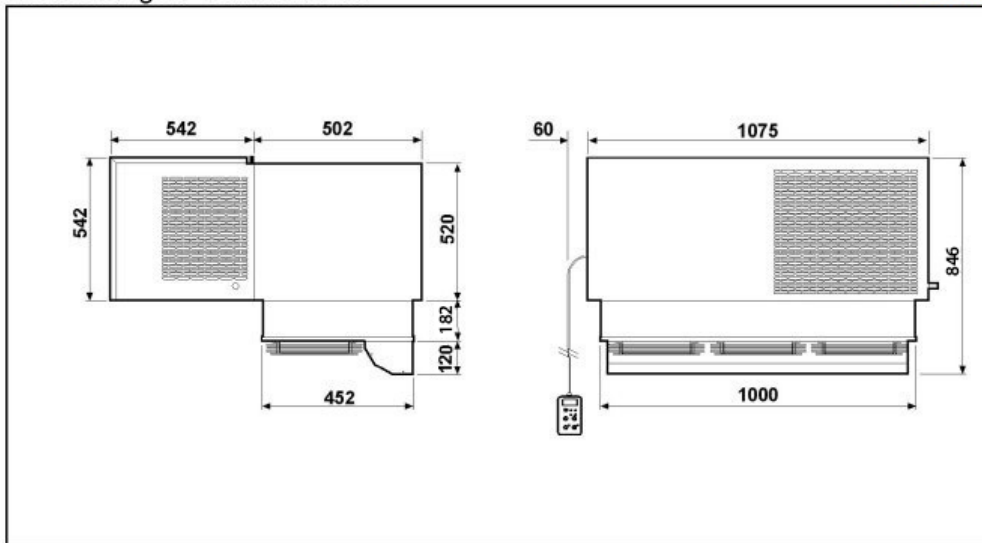
V80
 m³

* When normally running: -20 ÷ +30°C

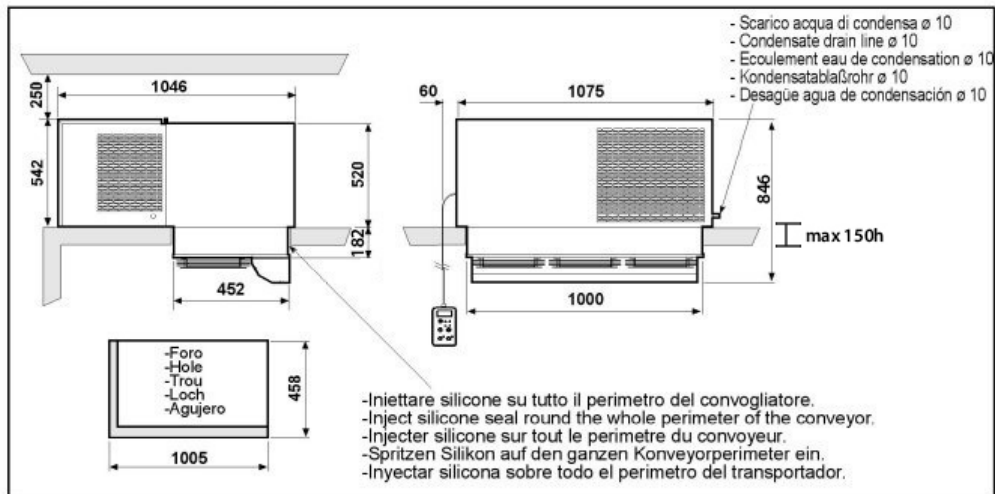
** Use air throw as a base. Air throw is affected by many factors such as height of room, product storage, location of evaporator, etc.

Tc: Coldroom temp. - Ta: External temp.

P: Refrigerant capacity - V: Recommended cold-room volume



Schema di montaggio - Mounting scheme - Schema de montage
Montageschema - Esquema de montaje



- * Raccomandazioni in sede di installazione e per il controllo fornite sul manuale di installazione
- * To be advised at time of order for factory installation and operating instructions
- * Recommendations au moments d'installations et pour le contrôle fournis sur le manuel d'installation
- * Empfehlungen für die Installationsphase und zur Kontrolle, die im Handbuch zur Installation enthalten sind
- * Por cuanto respecta a recomendaciones de instalación y control ver manual de instalación

Massa e misure imballi - Packing mass and dimensions - Masse et dimensions emballages
Verpackungsmasse und-abmessungen - Masa y medidas del embalaje

