



**ZANOTTI Spa**  
 Via M.L. King, 30  
 46020 - Pegognaga (MN) - ITALY  
 Tel. +39 0376 5551  
 Fax +39 0376 536554  
 info@zanotti.com

# Technical specifications

Version 2.2

Model: **MGM110EA11XA** Class: **GM**

## Technical data

Characteristics	M.U.	Value
Working temperature	°C	+10 ÷ -5
Starting mode		Direct
Voltage	Volt-Ph-Hz	230/1~/50
Rated input	kW*	0.90
Rated input	Amp*	5.20
Peak current	Amp	38.0
Max current	Amp	10.8
Refrigerant		R134a
	GWP	1430
Defrost		Hot gas
Mass	Kg	64

## Compressor

Type		Hermetic
Nominal power	kW	0.9

## Condenser

Air flow	m³/h	600
----------	------	-----

## Evaporator

Air flow	m³/h	600
Air throw	m**	4

PED Category		0
--------------	--	---



## Power data

Tc °C	Ta °C	P watt	P Kcal/h	V100 m³	V80 m³	V60 m³
	20	2133	1834	21	19	17
	25	1984	1706	18	16	15
10	30	1888	1624	18	16	15
	35	1807	1554	17	15	14
	40	1701	1463	16	15	13
	45	1533	1318	14	13	12
	20	1801	1549	17	15	14
	25	1677	1442	15	14	12
5	30	1585	1363	14	13	12
	35	1507	1296	13	12	11
	40	1423	1224	12	11	10
	45	1314	1130	11	10	9.1
	20	1583	1361	14	13	12
	25	1443	1241	12	11	10
0	30	1351	1162	11	10	9.1
	35	1283	1103	11	10	9.1
	40	1216	1046	9.8	8.9	8.1
	45	1127	969	8.7	7.9	7.2
	20	1355	1165	11	10	9.1
	25	1217	1047	9.8	8.9	8.1
-5	30	1128	970	8.7	7.9	7.2
	35	1068	918	8.1	7.4	6.7
	40	1012	870	7.5	6.8	6.2
	45	940	808	6.7	6.1	5.6

## Calculation of the refrigerating power and volume

Ta  
 °C

Tc  
 °C

PF  
 Watt

Kcal/h

V100  
 m³

V80  
 m³

V60  
 m³

\* When normally running: 0 ÷ +30°C

\*\* Use air throw as a base. Air throw is affected by many factors such as height of room, product storage, location of evaporator, etc.

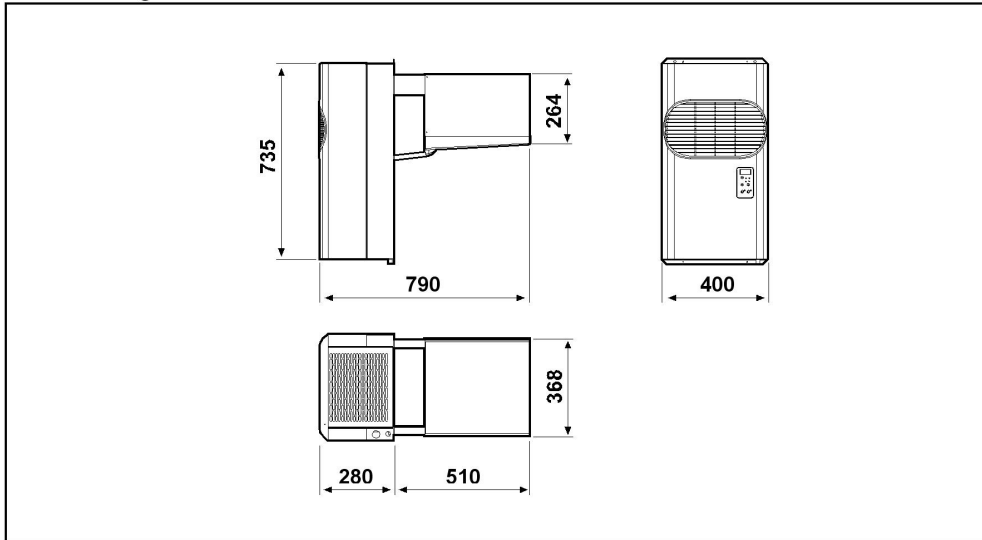
Tc: Coldroom temp. - Ta: External temp.

P: Refrigerant capacity - V: Recommended cold-room volume

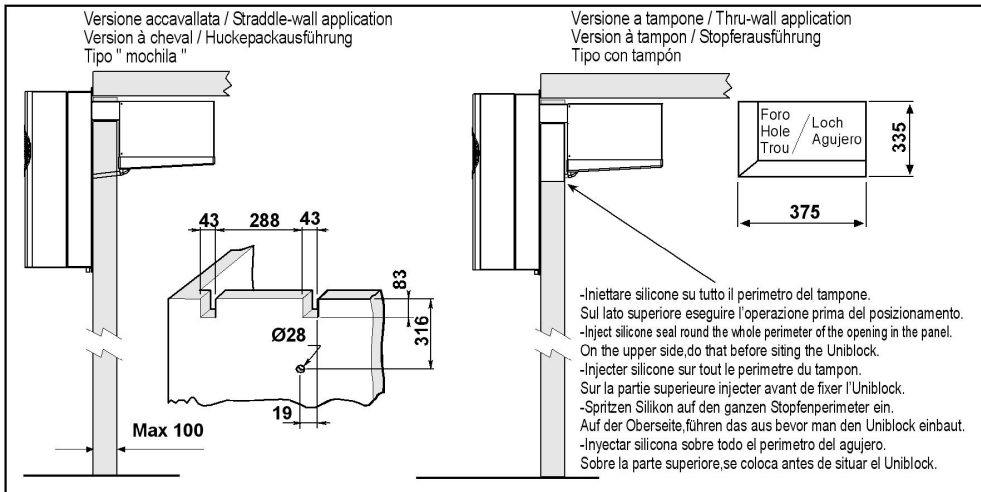
L'immagine è datata e potrebbe presentare alcune differenze rispetto all'unità attuale. La aggiorneremo il prima possibile.  
The picture is old and it could have some differences from the current unit. We will update it as soon as possible.

Dimensioni - Dimensions - Dimensions  
Abmessungen - Dimensiones

**GM1**

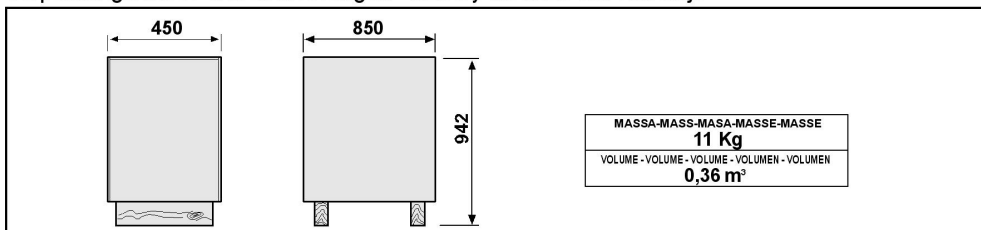


Schema di montaggio - Mounting scheme - Schema de montage  
Montageschema - Esquema de montaje



- \* Raccomandazioni in sede di installazione e per il controllo fornite sul manuale di installazione
- \* To be advised at time of order for factory installation and operating instructions
- \* Recommendations au moments d'installations et pour le contrôle fournis sur le manuel d'installation
- \* Empfehlungen für die Installationsphase und zur Kontrolle, die im Handbuch zur Installation enthalten sind
- \* Por cuanto respecta a recomendaciones de instalaciòn y control ver manual de instalaciòn

Massa e misure imballi - Packing mass and dimensions - Masse et dimensions emballages  
Verpackungsmasse und-abmessungen - Masa y medidas del embalaje



**ZANOTTI S.p.A.**