



**ZANOTTI Spa**  
 Via M.L. King, 30  
 46020 - Pegognaga (MN) - ITALY  
 Tel. +39 0376 5551  
 Fax +39 0376 536554  
 info@zanotti.com

# Technical specifications

Version 2.2

Model: **MGM211EA11XA** Class: **GM**

## Technical data

Characteristics	M.U.	Value
Working temperature	°C	+10 ÷ -5
Starting mode		Direct
Voltage	Volt-Ph-Hz	230/1~/50
Rated input	kW*	1.00
Rated input	Amp*	6.10
Peak current	Amp	40.0
Max current	Amp	11.7
Refrigerant		R134a
	GWP	1430
Defrost		Hot gas
Mass	Kg	80

## Compressor

Type		Hermetic
Nominal power	kW	0.9

## Condenser

Air flow	m³/h	1200
----------	------	------

## Evaporator

Air flow	m³/h	1200
Air throw	m**	4

PED Category		0
--------------	--	---



## Power data

Tc °C	Ta °C	P watt	P Kcal/h	V100 m³	V80 m³	V60 m³
	20	2774	2386	30	27	25
	25	2639	2270	28	25	23
10	30	2488	2140	26	24	22
	35	2331	2005	24	22	20
	40	2177	1872	21	19	17
	45	2036	1751	19	17	16
	20	2431	2091	25	23	21
	25	2246	1932	22	20	18
5	30	2124	1827	20	18	17
	35	2030	1746	19	17	16
	40	1929	1659	18	16	15
	45	1789	1539	17	15	14
	20	2062	1773	20	18	17
	25	1920	1651	17	15	14
0	30	1806	1553	17	15	14
	35	1705	1466	16	15	13
	40	1602	1378	14	13	12
	45	1483	1275	13	12	11
	20	1735	1492	16	15	13
	25	1580	1359	14	13	12
-5	30	1480	1273	13	12	11
	35	1406	1209	12	11	10
	40	1328	1142	11	10	9.1
	45	1215	1045	9.7	8.8	8.1

## Calculation of the refrigerating power and volume

Ta  
 °C

Tc  
 °C

PF  
 Watt

Kcal/h

V100  
 m³

V80  
 m³

V60  
 m³

\* When normally running: 0 ÷ +30°C

\*\* Use air throw as a base. Air throw is affected by many factors such as height of room, product storage, location of evaporator, etc.

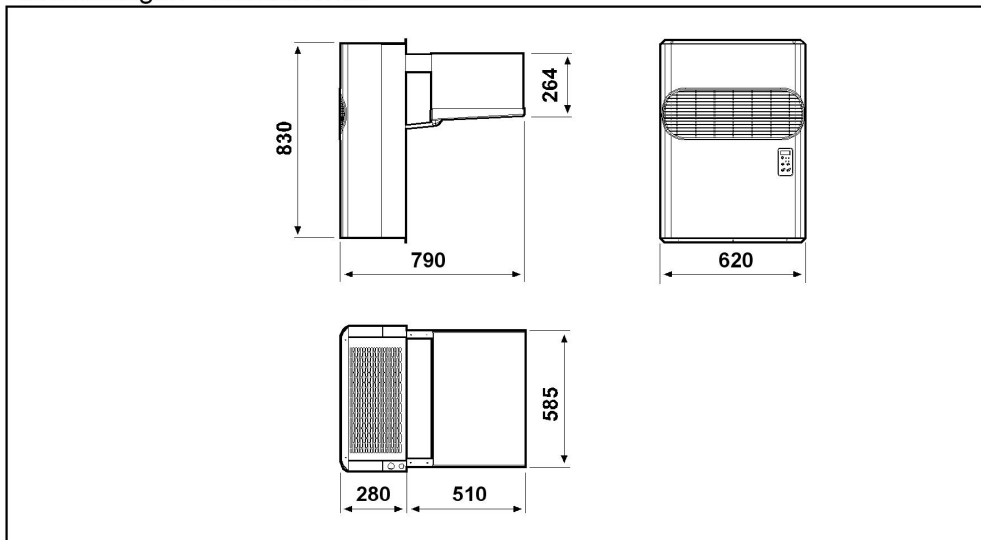
Tc: Coldroom temp. - Ta: External temp.

P: Refrigerant capacity - V: Recommended cold-room volume

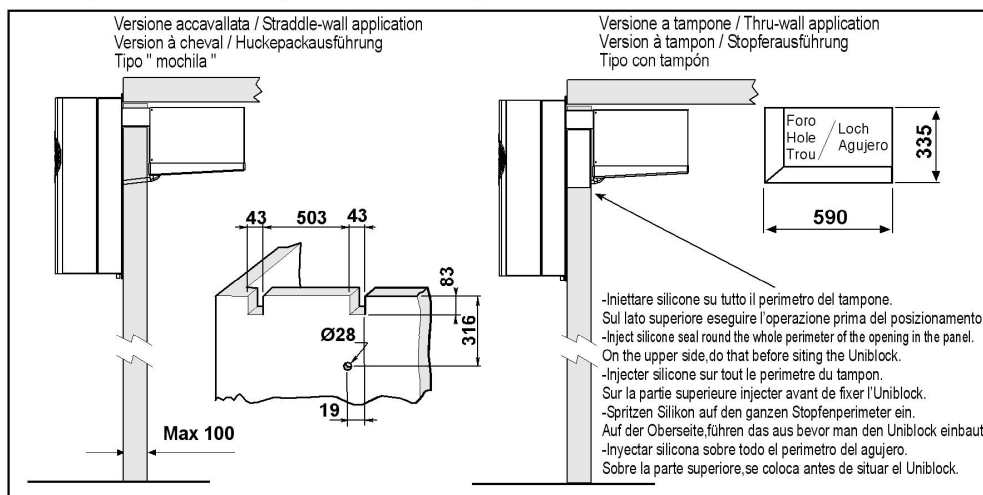
L'immagine è datata e potrebbe presentare alcune differenze rispetto all'unità attuale. La aggiorneremo il prima possibile.  
The picture is old and it could have some differences from the current unit. We will update it as soon as possible.

Dimensioni - Dimensions - Dimensions  
Abmessungen - Dimensiones

**GM2**

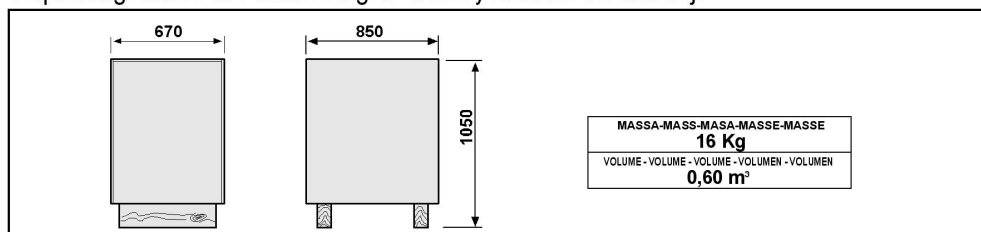


Schema di montaggio - Mounting scheme - Schema de montage  
Montageschema - Esquema de montaje



- \* Raccomandazioni in sede di installazione e per il controllo fornite sul manuale di installazione
- \* To be advised at time of order for factory installation and operating instructions
- \* Recommendations au moments d'installations et pour le contrôle fournis sur le manuel d'installation
- \* Empfehlungen für die Installationsphase und zur Kontrolle, die im Handbuch zur Installation enthalten sind
- \* Por cuanto respecta a recomendaciones de instalación y control ver manual de instalación

Massa e misure imballi - Packing mass and dimensions - Masse et dimensions emballages  
Verpackungsmasse und-abmessungen - Masa y medidas del embalaje



**ZANOTTI S.p.A.**