



ZANOTTI Spa
 Via M.L. King, 30
 46020 - Pegognaga (MN) - ITALY
 Tel. +39 0376 5551
 Fax +39 0376 536554
 info@zanotti.com

Technical specifications

Version 2.2

Model: **MGM315EB11XA** Class: **GM**

Technical data

Characteristics	M.U.	Value
Working temperature	°C	+10 ÷ -5
Starting mode		Direct
Voltage	Volt-Ph-Hz	400/3N~/50
Rated input	kW*	1.90
Rated input	Amp*	4.30
Peak current	Amp	33.0
Max current	Amp	10.1
Refrigerant		R134a
	GWP	1430
Defrost		Hot gas
Mass	Kg	98

Compressor

Type		Hermetic
Nominal power	kW	2.2

Condenser

Air flow	m³/h	1500
----------	------	------

Evaporator

Air flow	m³/h	1800
Air throw	m**	10

PED Category		0
--------------	--	---



Power data

Tc °C	Ta °C	P watt	P Kcal/h	V100 m³	V80 m³	V60 m³
	20	4873	4191	63	57	52
	25	4643	3993	59	54	49
10	30	4423	3804	56	51	46
	35	4193	3606	52	47	43
	40	3935	3384	48	44	40
	45	3627	3119	43	39	36
	20	4187	3601	52	47	43
	25	3857	3317	47	43	39
5	30	3645	3135	44	40	37
	35	3491	3002	41	37	34
	40	3333	2866	39	35	32
	45	3111	2675	35	32	29
	20	3564	3065	42	38	35
	25	3256	2800	38	35	32
0	30	3079	2648	35	32	29
	35	2964	2549	33	30	27
	40	2837	2440	31	28	26
	45	2626	2258	28	25	23
	20	3011	2589	34	31	28
	25	2703	2325	29	26	24
-5	30	2527	2173	27	25	22
	35	2416	2078	25	23	21
	40	2299	1977	23	21	19
	45	2108	1813	20	18	17

Calculation of the refrigerating power and volume

Ta	<input type="text" value="32.0"/>	°C
Tc	<input type="text" value="0.0"/>	°C
PF	<input type="text" value="3,030"/>	Watt
	<input type="text" value="2,606"/>	Kcal/h
V100	<input type="text" value="34.0"/>	m³
V80	<input type="text" value="31.0"/>	m³
V60	<input type="text" value="28.0"/>	m³

* When normally running: 0 ÷ +30°C

** Use air throw as a base. Air throw is affected by many factors such as height of room, product storage, location of evaporator, etc.

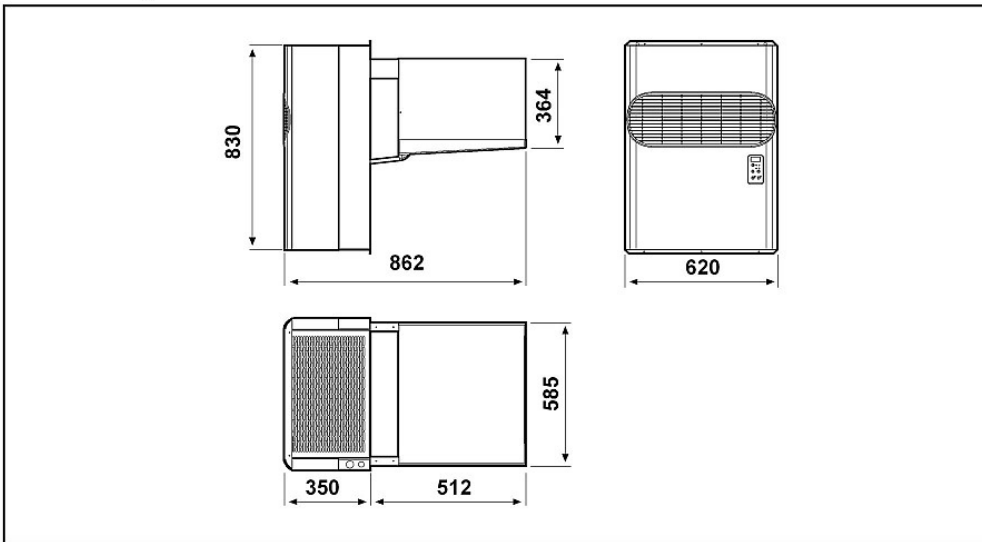
Tc: Coldroom temp. - Ta: External temp.

P: Refrigerant capacity - V: Recommended cold-room volume

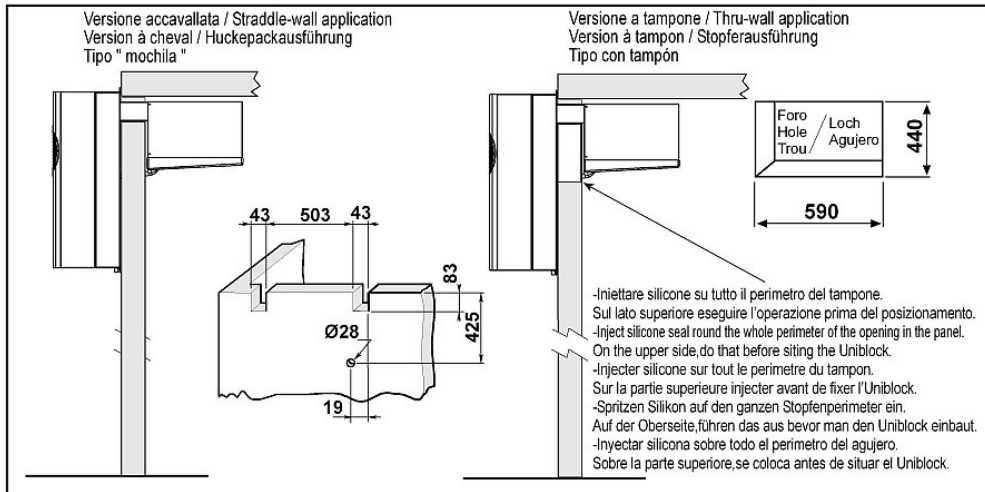
L'immagine è datata e potrebbe presentare alcune differenze rispetto all'unità attuale. La aggiorneremo il prima possibile.
 The picture is old and it could have some differences from the current unit. We will update it as soon as possible.

Dimensioni - Dimensions - Dimensions
 Abmessungen - Dimensiones

GM3

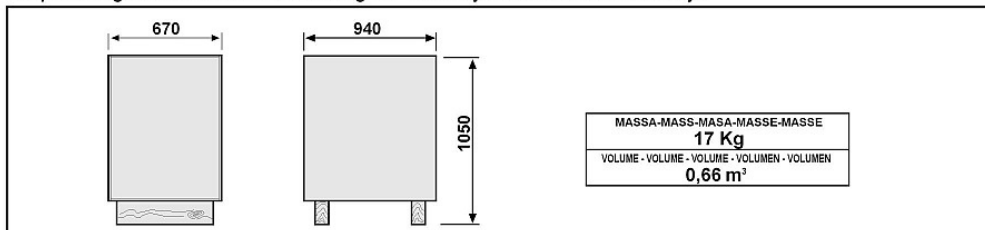


Schema di montaggio - Mounting scheme - Schema de montage
 Montageschema - Esquema de montaje



- * Raccomandazioni in sede di installazione e per il controllo fornite sul manuale di installazione
- * To be advised at time of order for factory installation and operating instructions
- * Recommendations au moments d'installations et pour le contrôle fournis sur le manuel d'installation
- * Empfehlungen für die Installationsphase und zur Kontrolle, die im Handbuch zur Installation enthalten sind
- * Por cuanto respecta a recomendaciones de instalación y control ver manual de instalación

Massa e misure imballi - Packing mass and dimensions - Masse et dimensions emballages
 Verpackungsmasse und-abmessungen - Masa y medidas del embalaje



ZANOTTI S.p.A.