



ZANOTTI Spa
 Via M.L. King, 30
 46020 - Pegognaga (MN) - ITALY
 Tel. +39 0376 5551
 Fax +39 0376 536554
 info@zanotti.com

Technical specifications

Version 2.2

Model: **MSB005EA11XX** Class: **SB**

Technical data

Characteristics	M.U.	Value
Working temperature	°C	+10 ÷ -5
Starting mode		Direct
Voltage	Volt-Ph-Hz	230/1~/50
Rated input	kW*	0.80
Rated input	Amp*	4.70
Peak current	Amp	26.0
Max current	Amp	7.8
Refrigerant		R134a
	GWP	1430
Defrost		Hot gas
Mass	Kg	42

Compressor

Type		Hermetic
Nominal power	kW	0.5

Condenser

Air flow	m³/h	400
----------	------	-----

Evaporator

Air flow	m³/h	500
Air throw	m**	3

PED Category		0
--------------	--	---



Power data

Tc °C	Ta °C	P watt	P Kcal/h	V100 m³	V80 m³	V60 m³
	20	1306	1123	9.9	9	8.2
	25	1265	1088	9.4	8.6	7.8
10	30	1203	1035	8.6	7.8	7.1
	35	1125	968	7.7	7	6.4
	40	1036	891	6.7	6.1	5.6
	20	1165	1002	8.2	7.5	6.8
	25	1087	935	7.3	6.6	6.1
5	30	1013	871	6.5	5.9	5.4
	35	944	812	5.8	5.3	4.8
	40	881	758	5.2	4.7	4.3
	20	1010	869	6.5	5.9	5.4
	25	921	792	5.6	5.1	4.6
0	30	857	737	5	4.6	4.1
	35	806	693	4.4	4	3.7
	40	753	648	3.9	3.5	3.2
	20	851	732	4.9	4.5	4.1
	25	773	665	4.2	3.8	3.5
-5	30	713	613	3.6	3.3	3
	35	661	568	3.2	2.9	2.7
	40	609	524	2.7	2.5	2.2

Calculation of the refrigerating power and volume

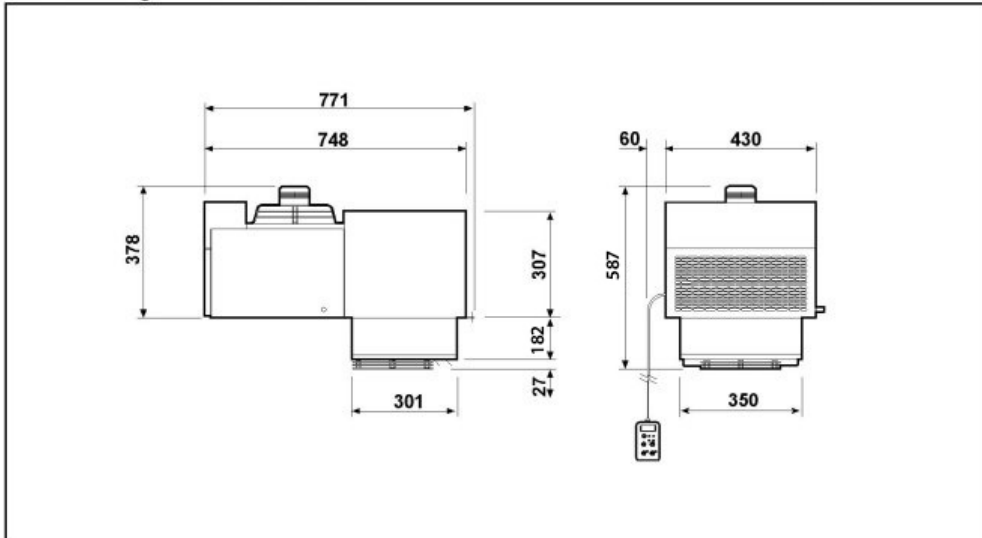
Ta		
	32.0	°C
Tc		
	0.0	°C
PF		
	836	Watt
	719	Kcal/h
V100		
	4.7	m³
V80		
	4.3	m³
V60		
	3.9	m³

* When normally running: 0 ÷ +30°C

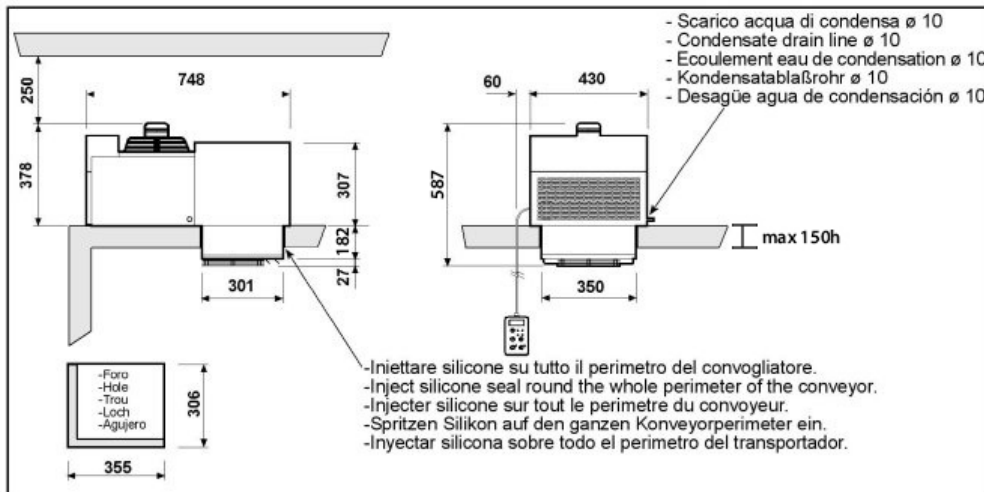
** Use air throw as a base. Air throw is affected by many factors such as height of room, product storage, location of evaporator, etc.

Tc: Coldroom temp. - Ta: External temp.

P: Refrigerant capacity - V: Recommended cold-room volume



Schema di montaggio - Mounting scheme - Schema de montage
Montageschema - Esquema de montaje



- * Raccomandazioni in sede di installazione e per il controllo fornite sul manuale di installazione
- * To be advised at time of order for factory installation and operating instructions
- * Recommendations au moments d'installations et pour le contrôle fournis sur le manuel d'installation
- * Empfehlungen für die Installationsphase und zur Kontrolle, die im Handbuch zur Installation enthalten sind
- * Por cuanto respecta a recomendaciones de instalación y control ver manual de instalación

Massa e misure imballi - Packing mass and dimensions - Masse et dimensions emballages
Verpackungsmasse und-abmessungen - Masa y medidas del embalaje

