



**ZANOTTI Spa**  
 Via M.L. King, 30  
 46020 - Pegognaga (MN) - ITALY  
 Tel. +39 0376 5551  
 Fax +39 0376 536554  
 info@zanotti.com

# Technical specifications

Version 2.2

Model: **MSB106EA11XX**      Class: **SB**

## Technical data

Characteristics	M.U.	Value
Working temperature	°C	+10 ÷ -5
Starting mode		Direct
Voltage	Volt-Ph-Hz	230/1~/50
Rated input	kW*	1.10
Rated input	Amp*	6.10
Peak current	Amp	31.0
Max current	Amp	9.2
Refrigerant		R134a
	GWP	1430
Defrost		Hot gas
Mass	Kg	59

## Compressor

Type		Hermetic
Nominal power	kW	0.6

## Condenser

Air flow	m³/h	750
----------	------	-----

## Evaporator

Air flow	m³/h	550
Air throw	m**	4

PED Category		0
--------------	--	---



## Power data

Tc °C	Ta °C	P watt	P Kcal/h	V100 m³	V80 m³	V60 m³
	20	1698	1460	15	14	12
	25	1633	1404	14	13	12
10	30	1551	1334	13	12	11
	35	1457	1253	11	10	9.1
	40	1351	1162	10	9.1	8.3
	20	1481	1274	12	11	10
	25	1400	1204	11	10	9.1
5	30	1317	1133	9.8	8.9	8.1
	35	1233	1060	8.8	8	7.3
	40	1151	990	7.9	7.2	6.6
	20	1287	1107	9.5	8.6	7.9
	25	1198	1030	8.5	7.7	7.1
0	30	1120	963	7.6	6.9	6.3
	35	1046	900	6.7	6.1	5.6
	40	970	834	5.9	5.4	4.9
	20	1095	942	7.3	6.6	6.1
	25	997	857	6.3	5.7	5.2
-5	30	919	790	5.4	4.9	4.5
	35	850	731	4.7	4.3	3.9
	40	781	672	4.1	3.7	3.4

## Calculation of the refrigerating power and volume

Ta  
 °C

Tc  
 °C

PF  
 Watt

Kcal/h

V100  
 m³

V80  
 m³

V60  
 m³

\* When normally running: 0 ÷ +30°C

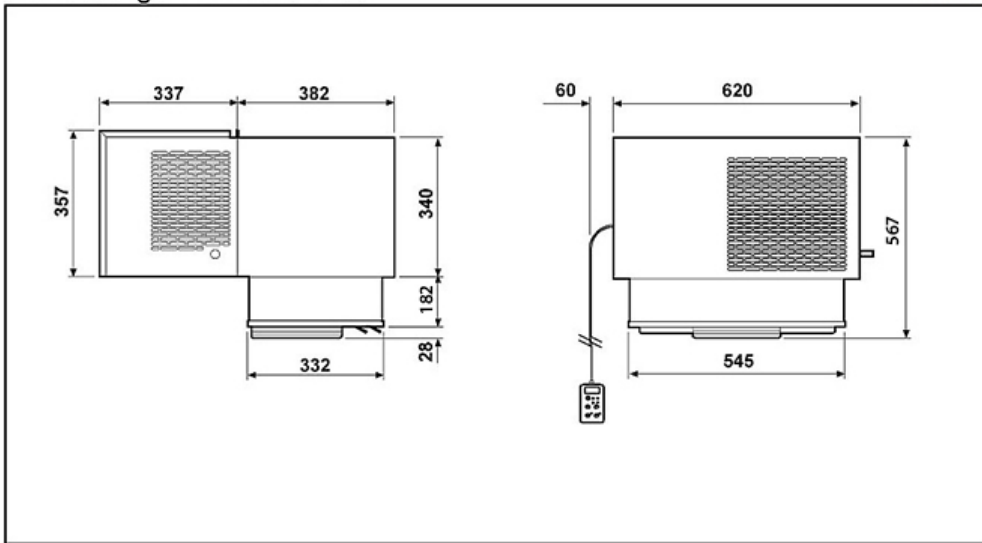
\*\* Use air throw as a base. Air throw is affected by many factors such as height of room, product storage, location of evaporator, etc.

Tc: Coldroom temp. - Ta: External temp.

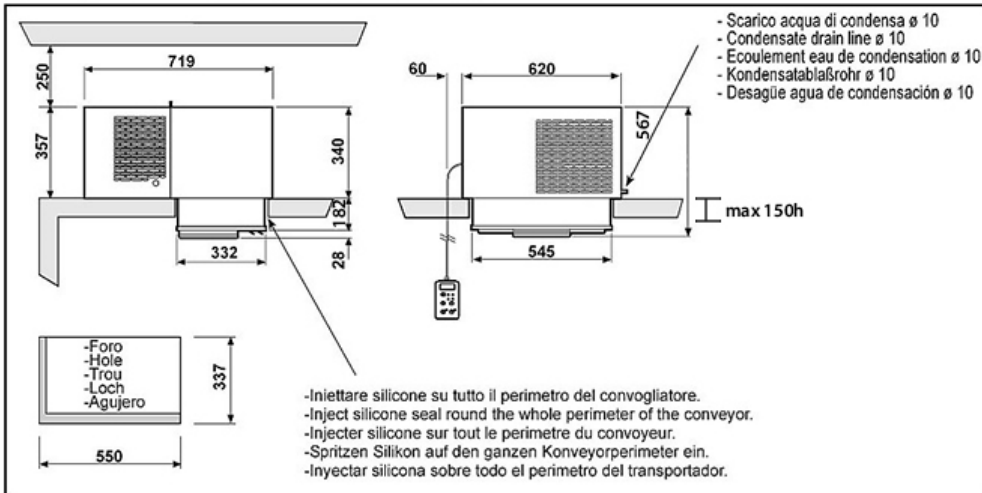
P: Refrigerant capacity - V: Recommended cold-room volume

Dimensioni - Dimensions - Dimensions  
Abmessungen - Dimensiones

**SB1**

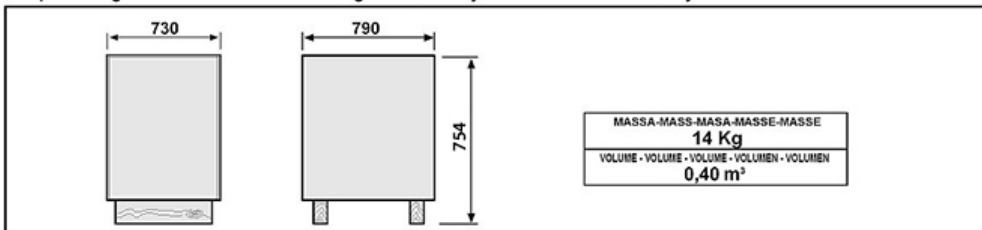


Schema di montaggio - Mounting scheme - Schema de montage  
Montageschema - Esquema de montaje



- \* Raccomandazioni in sede di installazione e per il controllo fornite sul manuale di installazione
- \* To be advised at time of order for factory installation and operating instructions
- \* Recommendations au moments d'installations et pour le contrôle fournis sur le manuel d'installation
- \* Empfehlungen für die Installationsphase und zur Kontrolle, die im Handbuch zur Installation enthalten sind
- \* Por cuanto respecta a recomendaciones de instalación y control ver manual de instalación

Massa e misure imballi - Packing mass and dimensions - Masse et dimensions emballages  
Verpackungsmasse und-abmessungen - Masa y medidas del embalaje



**ZANOTTI S.p.A.**