



ZANOTTI Spa
 Via M.L. King, 30
 46020 - Pegognaga (MN) - ITALY
 Tel. +39 0376 5551
 Fax +39 0376 536554
 info@zanotti.com

Technical specifications

Version 2.2

Model: **MSB107EA11XX** Class: **SB**

Technical data

Characteristics	M.U.	Value
Working temperature	°C	+10 ÷ -5
Starting mode		Direct
Voltage	Volt-Ph-Hz	230/1~/50
Rated input	kW*	0.70
Rated input	Amp*	4.30
Peak current	Amp	32.0
Max current	Amp	9.5
Refrigerant		R134a
	GWP	1430
Defrost		Hot gas
Mass	Kg	59

Compressor

Type		Hermetic
Nominal power	kW	0.7

Condenser

Air flow	m³/h	750
----------	------	-----

Evaporator

Air flow	m³/h	550
Air throw	m**	4

PED Category		0
--------------	--	---



Power data

Tc °C	Ta °C	P watt	P Kcal/h	V100 m³	V80 m³	V60 m³
	20	1966	1691	18	16	15
	25	1885	1621	17	15	14
10	30	1815	1561	16	15	13
	35	1733	1490	15	14	12
	40	1621	1394	13	12	11
	20	1715	1475	15	14	12
	25	1633	1404	14	13	12
5	30	1544	1328	13	12	11
	35	1449	1246	11	10	9.1
	40	1348	1159	10	9.1	8.3
	20	1519	1306	12	11	10
	25	1428	1228	11	10	9.1
0	30	1338	1151	10	9.1	8.3
	35	1248	1073	8.9	8.1	7.4
	40	1157	995	7.9	7.2	6.6
	20	1291	1110	9.5	8.6	7.9
	25	1201	1033	8.5	7.7	7.1
-5	30	1126	968	7.6	6.9	6.3
	35	1057	909	6.8	6.2	5.6
	40	986	848	6	5.5	5

Calculation of the refrigerating power and volume

Ta °C

Tc °C

PF Watt

Kcal/h

V100 m³

V80 m³

V60 m³

* When normally running: 0 ÷ +30°C

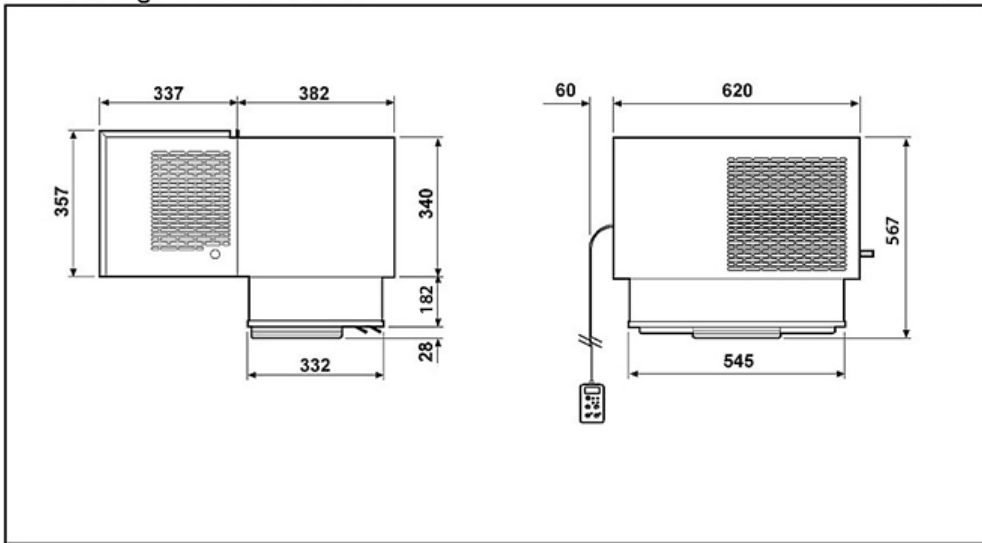
** Use air throw as a base. Air throw is affected by many factors such as height of room, product storage, location of evaporator, etc.

Tc: Coldroom temp. - Ta: External temp.

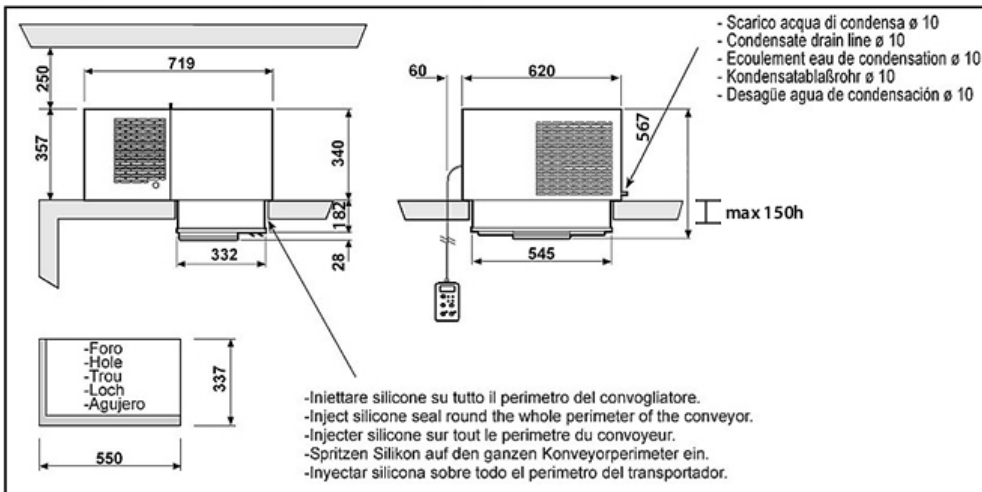
P: Refrigerant capacity - V: Recommended cold-room volume

Dimensioni - Dimensions - Dimensions
Abmessungen - Dimensiones

SB1

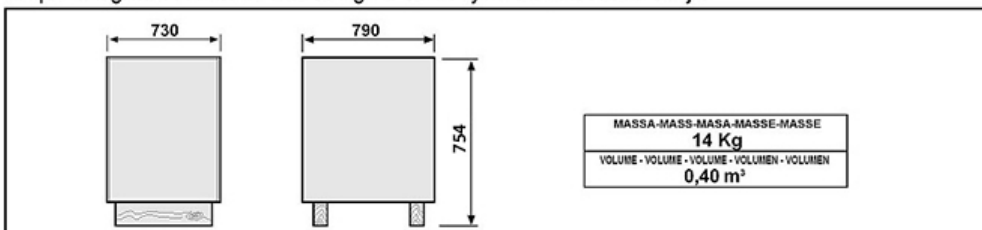


Schema di montaggio - Mounting scheme - Schema de montage
Montageschema - Esquema de montaje



- * Raccomandazioni in sede di installazione e per il controllo fornite sul manuale di installazione
- * To be advised at time of order for factory installation and operating instructions
- * Recommendations au moments d'installations et pour le contrôle fournis sur le manuel d'installation
- * Empfehlungen für die Installationsphase und zur Kontrolle, die im Handbuch zur Installation enthalten sind
- * Por cuanto respecta a recomendaciones de instalación y control ver manual de instalación

Massa e misure imballi - Packing mass and dimensions - Masse et dimensions emballages
Verpackungsmasse und-abmessungen - Masa y medidas del embalaje



ZANOTTI S.p.A.