



ZANOTTI Spa
 Via M.L. King, 30
 46020 - Pegognaga (MN) - ITALY
 Tel. +39 0376 5551
 Fax +39 0376 536554
 info@zanotti.com

Technical specifications

Version 2.2

Model: **MSB210EA11XX** Class: **SB**

Technical data

Characteristics	M.U.	Value
Working temperature	°C	+10 ÷ -5
Starting mode		Direct
Voltage	Volt-Ph-Hz	230/1~/50
Rated input	kW*	1.00
Rated input	Amp*	5.60
Peak current	Amp	38.0
Max current	Amp	11.1
Refrigerant		R134a
	GWP	1430
Defrost		Hot gas
Mass	Kg	75

Compressor

Type		Hermetic
Nominal power	kW	0.9

Condenser

Air flow	m³/h	1400
----------	------	------

Evaporator

Air flow	m³/h	1100
Air throw	m**	4

PED Category		0
--------------	--	---



Power data

Tc °C	Ta °C	P watt	P Kcal/h	V100 m³	V80 m³	V60 m³
	20	2714	2334	27	25	22
	25	2602	2238	25	23	21
10	30	2471	2125	23	21	19
	35	2327	2001	21	19	17
	40	2173	1869	18	16	15
	45	2014	1732	17	15	14
	20	2380	2047	22	20	18
	25	2258	1942	20	18	17
5	30	2127	1829	18	16	15
	35	1997	1717	17	15	14
	40	1876	1613	16	15	13
	45	1774	1526	14	13	12
	20	2040	1754	18	16	15
	25	1904	1637	16	15	13
0	30	1799	1547	15	14	12
	35	1704	1465	13	12	11
	40	1601	1377	12	11	10
	45	1469	1263	10	9.1	8.3
	20	1704	1465	13	12	11
	25	1588	1366	12	11	10
-5	30	1484	1276	11	10	9.1
	35	1389	1195	9.5	8.6	7.9
	40	1298	1116	8.5	7.7	7.1
	45	1207	1038	7.4	6.7	6.1

Calculation of the refrigerating power and volume

Ta		
	32.0	°C
Tc		
	0.0	°C
PF		
	1,761	Watt
	1,514	Kcal/h
V100		
	14.0	m³
V80		
	13.0	m³
V60		
	12.0	m³

* When normally running: 0 ÷ +30°C

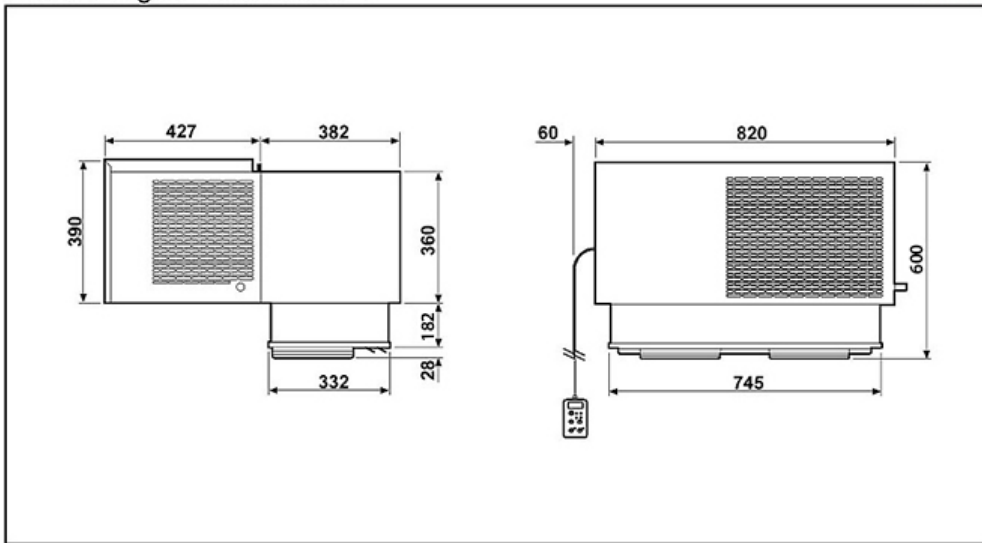
** Use air throw as a base. Air throw is affected by many factors such as height of room, product storage, location of evaporator, etc.

Tc: Coldroom temp. - Ta: External temp.

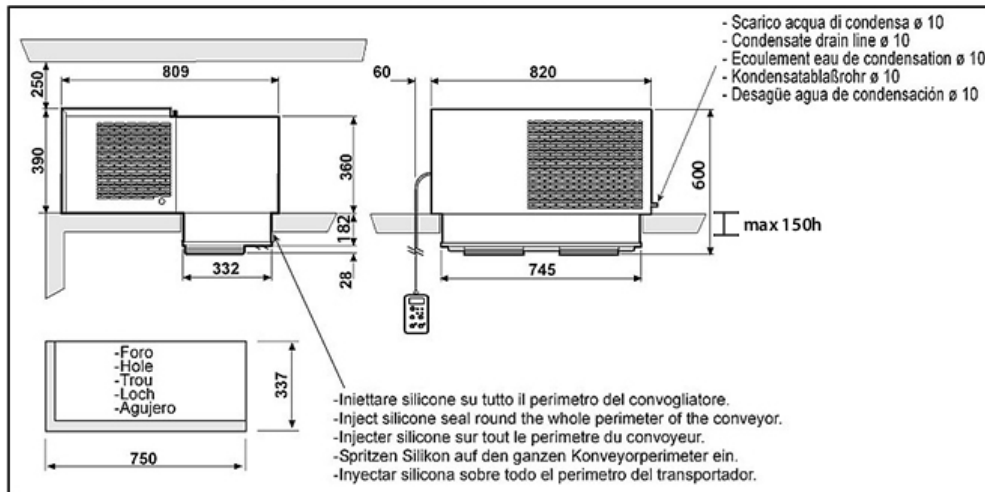
P: Refrigerant capacity - V: Recommended cold-room volume

Dimensioni - Dimensions - Dimensions
Abmessungen - Dimensiones

SB2

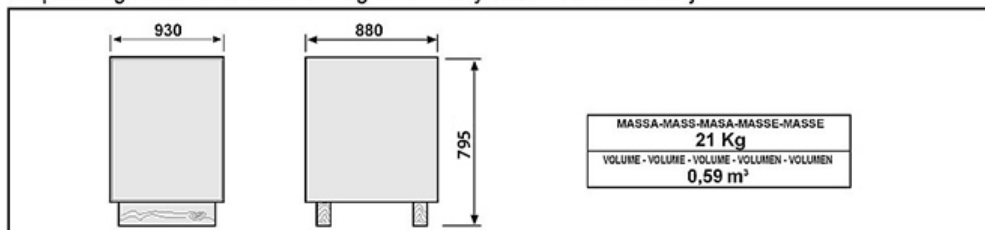


Schema di montaggio - Mounting scheme - Schema de montage
Montageschema - Esquema de montaje



- * Raccomandazioni in sede di installazione e per il controllo fornite sul manuale di installazione
- * To be advised at time of order for factory installation and operating instructions
- * Recommendations au moments d'installations et pour le contrôle fournis sur le manuel d'installation
- * Empfehlungen für die Installationsphase und zur Kontrolle, die im Handbuch zur Installation enthalten sind
- * Por cuanto respecta a recomendaciones de instalación y control ver manual de instalación

Massa e misure imballi - Packing mass and dimensions - Masse et dimensions emballages
Verpackungsmasse und-abmessungen - Masa y medidas del embalaje



ZANOTTI S.p.A.