



ZANOTTI Spa
 Via M.L. King, 30
 46020 - Pegognaga (MN) - ITALY
 Tel. +39 0376 5551
 Fax +39 0376 536554
 info@zanotti.com

Technical specifications

Version 2.2

Model: **MSB212EB11XX** Class: **SB**

Technical data

Characteristics	M.U.	Value
Working temperature	°C	+10 ÷ -5
Starting mode		Direct
Voltage	Volt-Ph-Hz	400/3N~/50
Rated input	kW*	1.70
Rated input	Amp*	4.00
Peak current	Amp	26.0
Max current	Amp	8.7
Refrigerant		R134a
	GWP	1430
Defrost		Hot gas
Mass	Kg	75

Compressor

Type		Hermetic
Nominal power	kW	1.7

Condenser

Air flow	m³/h	1400
----------	------	------

Evaporator

Air flow	m³/h	1100
Air throw	m**	4

PED Category		0
--------------	--	---



Power data

Tc °C	Ta °C	P watt	P Kcal/h	V100 m³	V80 m³	V60 m³
	20	3259	2803	35	32	29
	25	3100	2666	33	30	27
10	30	2956	2542	30	27	25
	35	2804	2411	28	25	23
	40	2623	2256	25	23	21
	45	2392	2057	22	20	18
	20	2738	2355	27	25	22
	25	2583	2221	25	23	21
5	30	2446	2104	23	21	19
	35	2315	1991	21	19	17
	40	2181	1876	19	17	16
	45	2032	1748	17	15	14
	20	2341	2013	21	19	17
	25	2152	1851	18	16	15
0	30	2022	1739	17	15	14
	35	1919	1650	16	15	13
	40	1807	1554	15	14	12
	45	1655	1423	13	12	11
	20	1896	1631	16	15	13
	25	1749	1504	14	13	12
-5	30	1628	1400	12	11	10
	35	1527	1313	11	10	9.1
	40	1438	1237	10	9.1	8.3
	45	1355	1165	9	8.2	7.5

Calculation of the refrigerating power and volume

Ta °C

Tc °C

PF Watt

Kcal/h

V100 m³

V80 m³

V60 m³

* When normally running: 0 ÷ +30°C

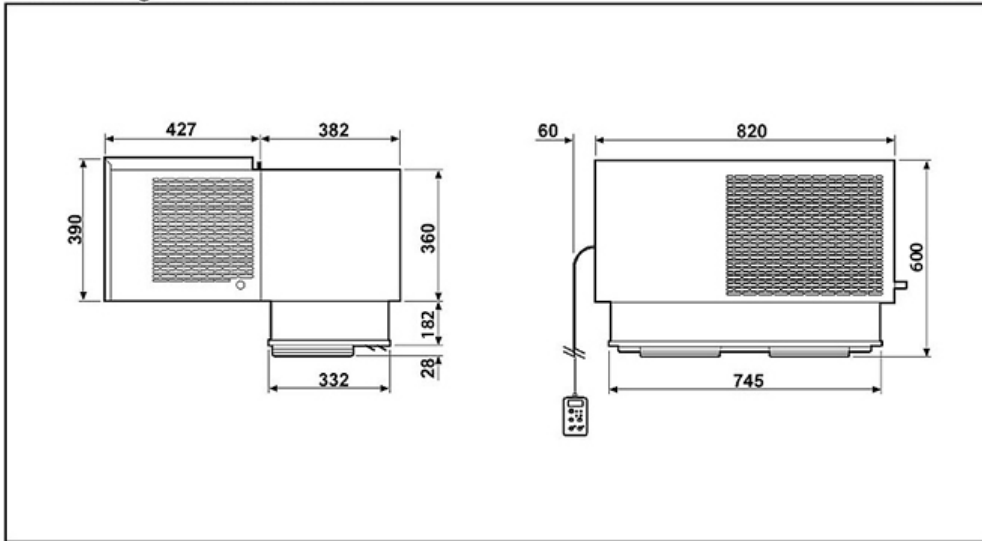
** Use air throw as a base. Air throw is affected by many factors such as height of room, product storage, location of evaporator, etc.

Tc: Coldroom temp. - Ta: External temp.

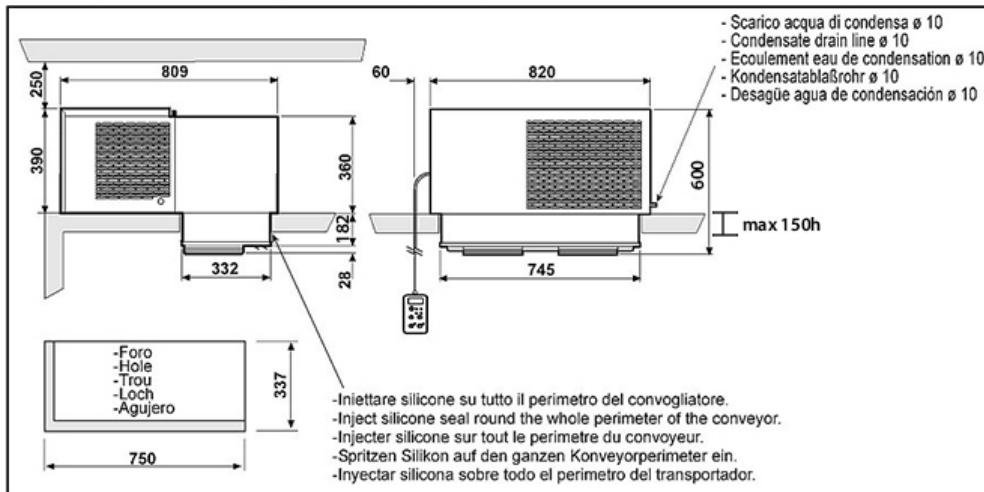
P: Refrigerant capacity - V: Recommended cold-room volume

Dimensioni - Dimensions - Dimensions
Abmessungen - Dimensiones

SB2

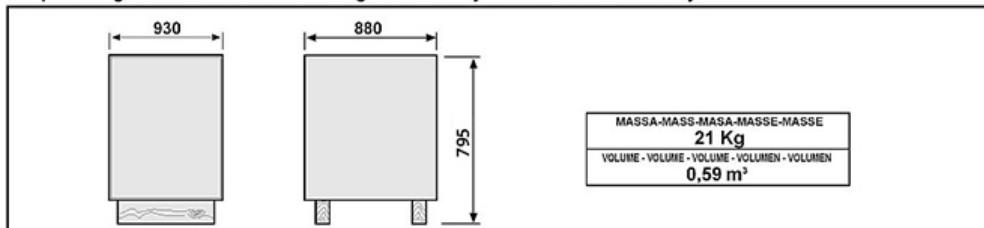


Schema di montaggio - Mounting scheme - Schema de montage
Montageschema - Esquema de montaje



- * Raccomandazioni in sede di installazione e per il controllo fornite sul manuale di installazione
- * To be advised at time of order for factory installation and operating instructions
- * Recommendations au moments d'installations et pour le contrôle fournis sur le manuel d'installation
- * Empfehlungen für die Installationsphase und zur Kontrolle, die im Handbuch zur Installation enthalten sind
- * Por cuanto respecta a recomendaciones de instalación y control ver manual de instalación

Massa e misure imballi - Packing mass and dimensions - Masse et dimensions emballages
Verpackungsmasse und-abmessungen - Masa y medidas del embalaje



ZANOTTI S.p.A.