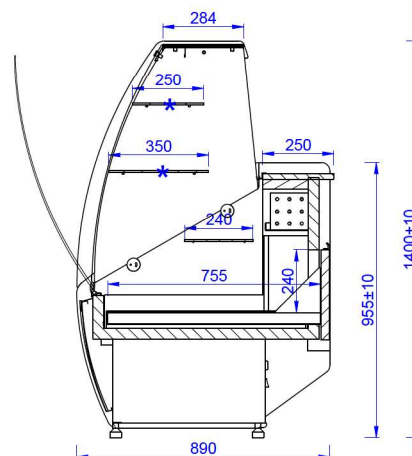




www.mawi-poland.pl



\* neutral shelves without cooling  
\* półki neutralne niechłodzone

PASTRY DISPLAY COUNTER

# BLANCA (WCH CR)

## STANDARD EQUIPMENT

- Static cooling
- Two refrigerated drawers and one glass shelf
- Two neutral shelves
- Internal cooling aggregate
- Upper LED lighting
- MDF housing painted in colour from the Mawi RAL template book
- Stainless steel worktop
- Night curtains made of plexiglass
- Electronic thermostat with digital display
- Automatic evaporation of condensate
- Fixed glass partition for modules 1.6 and 2.0

## AVAILABLE OPTIONS

OPTIONS	UNIT
"Strzegom" granite worktop	lm
Device in a neutral version (without cooling system with lighting)	pcs
Version for an external unit - without a cooling aggregate with thermostat and expansion valve under R404a / R507 / R448 / R449 / R452a	pcs
Running version - a set of wheels	set
Defrosting heater in the evaporator	lm
Cash register LE Blanca (LE CR)	lm
Designated area for cash register or stainless steel scale	pcs



+5 ... +15 °C

MODEL	DIMENSIONS (L x D x H) [mm]	AMBIENT CONDITIONS [°C/RH]	REFRIGERANT	THE AREA OF SHELVES [m²]
BLANCA (WCH CR) 1.0	1080 x 890 x 1410	+15 ... +25 / 60%	R507	1,4
BLANCA (WCH CR) 1.3	1385 x 890 x 1410	+15 ... +25 / 60%	R507	1,8
BLANCA (WCH CR) 1.6	1635 x 890 x 1410	+15 ... +25 / 60%	R507	2,2
BLANCA (WCH CR) 2.0	2035 x 890 x 1410	+15 ... +25 / 60%	R507	2,7