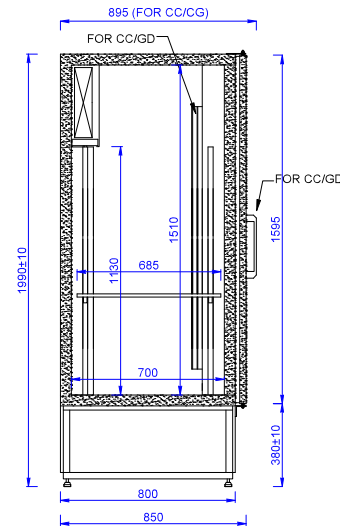


CC 1950 XL (SCH 2000)



STANDARD EQUIPMENT

- Built-in refrigeration unit
- Body is insulated with polyurethane foam
- Full insulated or glazed door (GD model)
- Gravitational cooling
- Electronic thermostat with digital display
- Automatic evaporation of condensate
- Interior of the cabinet made of aluminium sheet
- Outer body varnished in white

AVAILABLE OPTIONS

OPTIONS	UNIT
Forced cooling	set
Net shelf with a set of hooks	pcs
Stainless steel perforated shelf	pcs
Interior made of stainless steel (not applicable to shelves)	set
External body made of stainless steel	set
Stainless steel inside and outside - INOX version (does not apply to shelves)	set
Body painting according to the Mawi RAL template	set
Door lock	szt
Set of wheels	set
Version without REM unit (standard thermostat)	set
Thermostatic expansion valve for factor R404a / R507 for REM version	pcs



+1 ... +10 °C

MODEL	DIMENSIONS (L x D x H) [mm]	SIZE OF SHELVES [mm]	QUANTITY OF SHELVES	CAPACITY OF CHAMBER	AMBIENT CONDITIONS [C/RH]	REFRIGERANT (FOR VERSION WITH AGGREGATE) (PI)
CC 1950 XL (SCH 2000)	1950 x 850 x 1990	692 x 890	On request	1975	+15 ... +25 / 60%	R507
CC 1950 XL GD (SCH 2000S)	1950 x 850 x 1990	692 x 890	On request	1975	+15 ... +25 / 60%	R507